

3A 150KHZ PWM Buck DC/DC Converter

General Description

The FAC2596 is a series of easy to use fixed and adjustable step- down (buck) switch- mode voltage regulators. These devices are available in fixed output voltage of 3.3V, 5V, and an adjustable output version. Both versions are capable of driving a 3A load with excellent line and load regulation.

Requiring a minimum number of external components, these regulators are simple to use and include internal frequency compensation, and a fixed- frequency oscillator.

The output voltage is guaranteed to $\pm 3\%$ tolerance under specified input voltage and output load conditions. The oscillator frequency is guaranteed to $\pm 15\%$. External shutdown is included, featuring typically 80 μA standby current. Self protection features include a two stage frequency reducing current limit for the output switch and an over temperature shutdown for complete protection under fault conditions.

The FAC2596 is available in TO- 220B- 5L TO220- 5L and TO- 263- 5L packages.

Features

- 3.3V, 5V and adjustable output versions
- Output adjustable from 1.23V to 43V
- Fixed 150KHz frequency internal oscillator
- Guaranteed 3A output load current
- Input voltage range up to 45V
- Low power standby mode, I_Q typically 80 μA
- TTL shutdown capability
- Excellent line and load regulation
- Requires only 4 external components
- High efficiency
- Thermal shutdown and current limit protection
- Available in TO- 220B/TO220 and TO- 263 packages
- AEC- Q101 qualified

Applications

- Simple High- efficiency step- down regulator
- On- card switching regulators
- Positive to negative converter
- LCD monitor and LCD TV
- DVD recorder and PDP TV
- Battery charger
- Step- down to 3.3V for microprocessors

Package Types

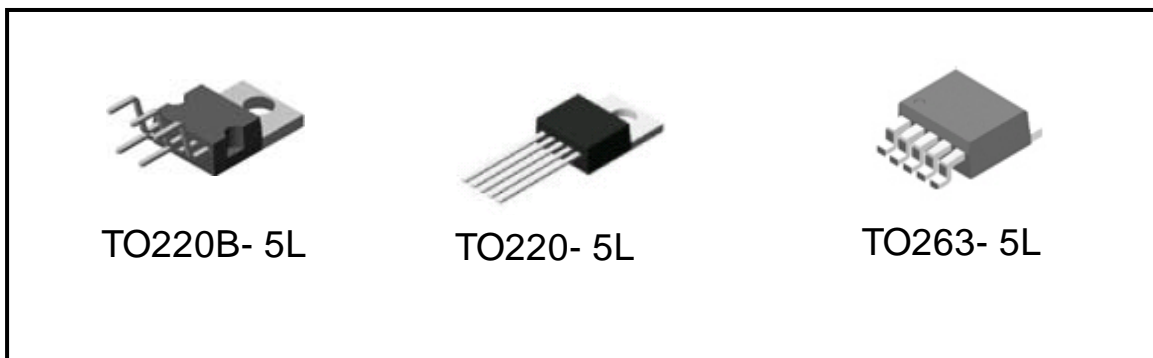
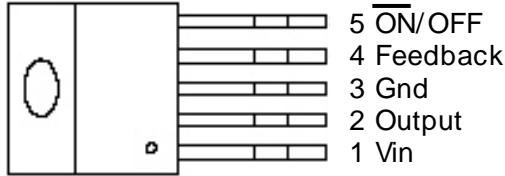


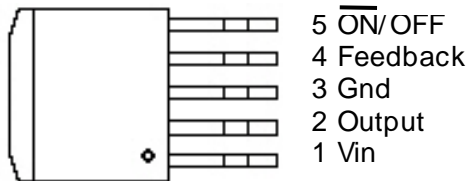
Figure 1. Package Types of FAC2596

3A 150KHZ PWM Buck DC/DC Converter

Pin Assignments



TO220B- 5L/TO220- 5L

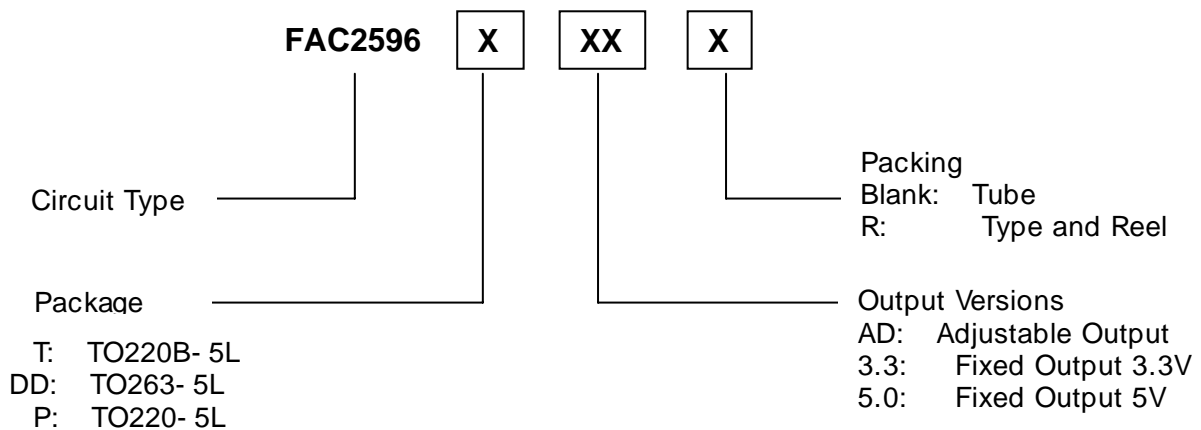


TO263- 5L

Pin Descriptions

Name	Description
Vin	Input supply voltage
Output	Switching output
Gnd	Ground
Feedback	Output voltage feedback
ON/OFF	ON/OFF shutdown Active is "Low" or floating

Ordering Information



3A 150KHZ PWM Buck DC/DC Converter

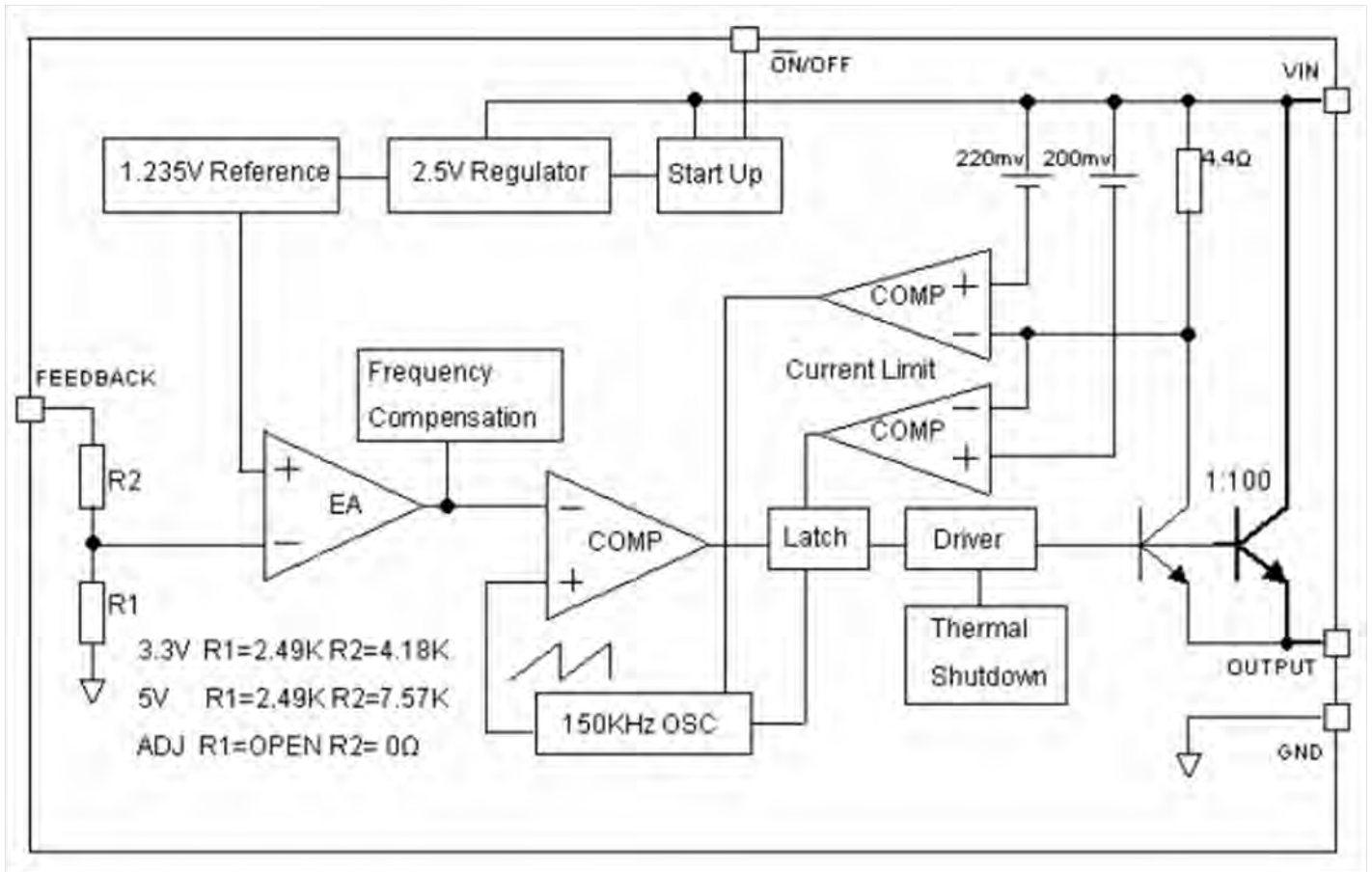


Figure 2. Functional Block Diagram of FAC2596

Typical Application (Fixed Output Voltage Versions)

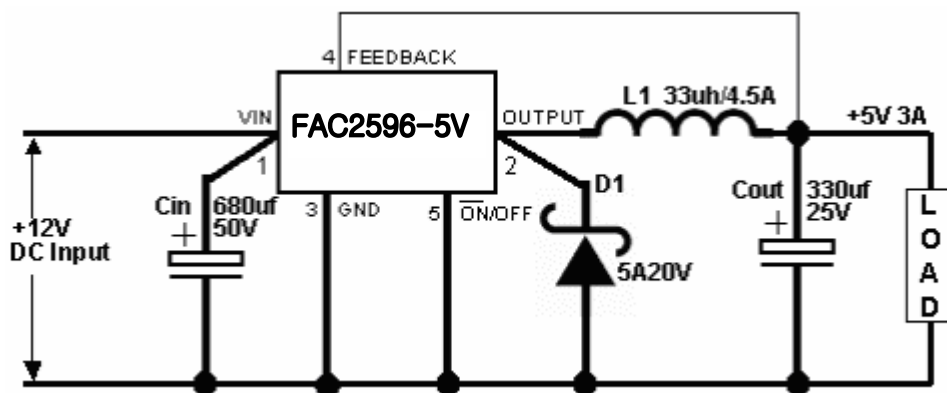


Figure 3. Typical Application of FAC2596



3A 150KHZ PWM Buck DC/DC Converter

Absolute Maximum Ratings

Note1: Stresses greater than those listed under Maximum Ratings may cause permanent damage to the device. This is a stress rating only and functional operation of the device at these or any other conditions above those indicated in the operation is not implied. Exposure to absolute maximum rating conditions for extended periods may affect reliability.

Parameter	Value	Unit
Supply Voltage Vin	- 0.3 to 45	V
Feedback VFB pin voltage	- 0.3 to Vin+0.3	V
ON/OFF Pin voltage	- 0.3 to Vin+0.3	V
Output pin voltage	- 0.3 to Vin+0.3	V
Output Voltage to Ground (Steady State)	- 1	V
Power Dissipation	Internally limited	W
Operating Temperature Range	- 40 to +125	°C
Storage Temperature	- 65 to +150	°C
Lead Temperature (Soldering, 10 sec)	200	°C
ESD(HM)	2000	V
Thermal Resistance-Junction to Ambient(RθJA)	23	°C / W
Thermal Resistance-Junction to Case(RθJC)	3.5	°C / W

Electrical Characteristics (All Output Voltage Versions)

Unless otherwise specified, Vin = 12V for 3.3V, 5V, adjustable version. Iload = 0.5A, Ta = 25 °C

Symbol	Parameter	Conditions	Min.	Typ.	Max.	Unit
I _b	Feedback bias current	Adjustable only, V _{FB} =1.3V		10	50/ 100	nA
I _Q	Quiescent current	V _{FB} =12V force driver off		5	10	mA
I _{STBY}	Standby quiescent current	ON/OFF=5V, V _{IN} =36V		80	200/ 250	uA
F _{OSC}	Oscillator frequency		127	150	173	KHz
V _{SAT}	Saturation voltage	I _{OUT} =3A		1.2	1.4/ 1.5	V
I _{CL}	Current Limit	Peak Current (V _{FB} =0V)		4.5	5.5/ 6.5	A
I _L	Output leakage current	Output=0V (V _{FB} =12V)			50	uA
	Output leakage current	Output=- 1V (V _{IN} =36V)		2	30	mA
V _{IL}	ON/OFF pin logic input	Low (Regulator ON)		1.3	0.6	V



3A 150KHZ PWM Buck DC/DC Converter

V _{IH}	Threshold voltage	High (Regulator OFF)	2.0	1.3		V
I _H I _L	ON/OFF pin input current	V _{LOGIC} =2.5V(Regulator OFF)		5	15	uA
		V _{LOGIC} =0.5V(Regulator ON)		0.02	5	uA
θ _{JC}	Thermal Resistance Junction to Case	TO220B- 5L/TO220- 5L TO263- 5L		2.5 3.5		°C/W
θ _{JA}	Thermal Resistance Junction to Ambient (Note1)	TO220B- 5L/TO220- 5L TO263- 5L		28 23		°C/W
FAC2596 ADJ	V _{out} : Output Voltage	11V≤V _{IN} ≤45V, 0.2A≤I _{LOAD} ≤ 3A, V _{OUT} for 9V	1.193/ 1.180	1.23	1.267/ 1.280	V
	η: Efficiency	V _{IN} =12V, V _{OUT} =9V, I _{LOAD} =3A		88		%
FAC2596 3.3V	V _{out} : Output Voltage	4.75V≤V _{IN} ≤45V, 0.2A≤I _{LOAD} ≤3A	3.168/ 3.135	3.3	3.432/ 3.465	V
	η: Efficiency	V _{IN} =12V, I _{LOAD} =3A		76		%
FAC2596 5V	V _{out} : Output Voltage	7V≤V _{IN} ≤45V, 0.2A≤I _{LOAD} ≤ 3A	4.800/ 4.750	5.0	5.200/ 5.250	V
	η: Efficiency	V _{IN} =12V, I _{LOAD} =3A		83		%

Specifications with **boldface type** are for full operating temperature range, the other type are for T_J=25°C.

Note1: Thermal resistance with copper area of approximately 3 in²

3A 150KHZ PWM Buck DC/DC Converter

Typical Performance Characteristics

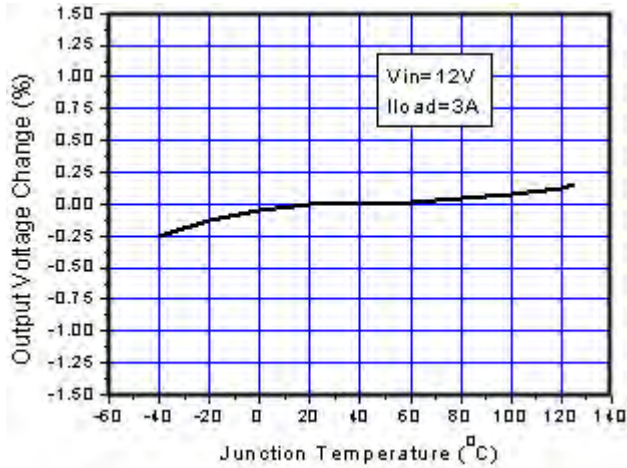


Figure 4. Output Voltage vs. Temperature

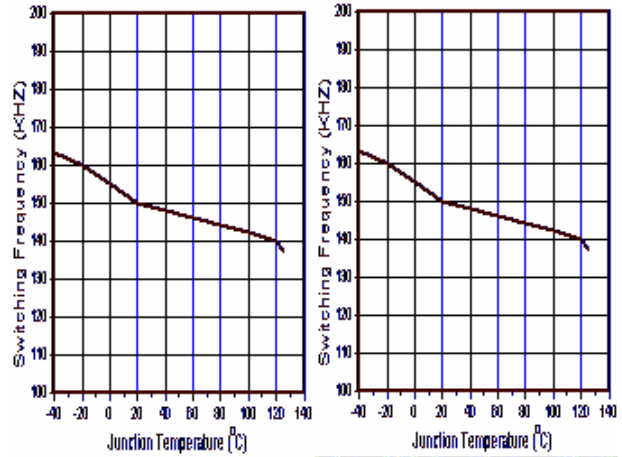


Figure 5. Switching Frequency vs. Temperature

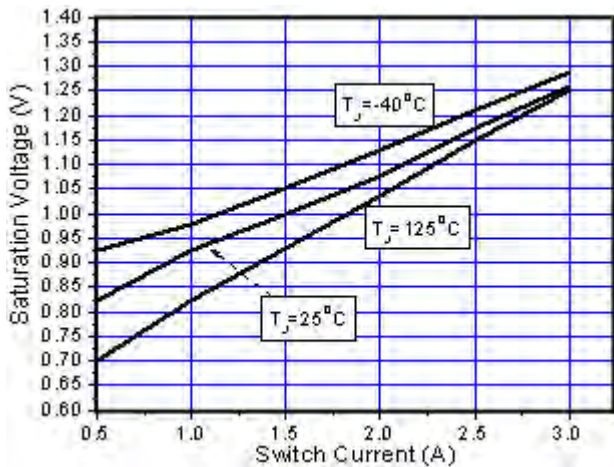


Figure 6. Output Saturation Characteristics

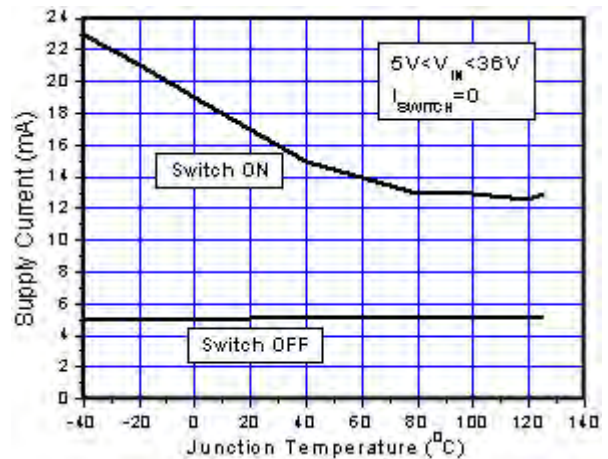


Figure 7. Quiescent Current vs. Temperature

3A 150KHZ PWM Buck DC/DC Converter

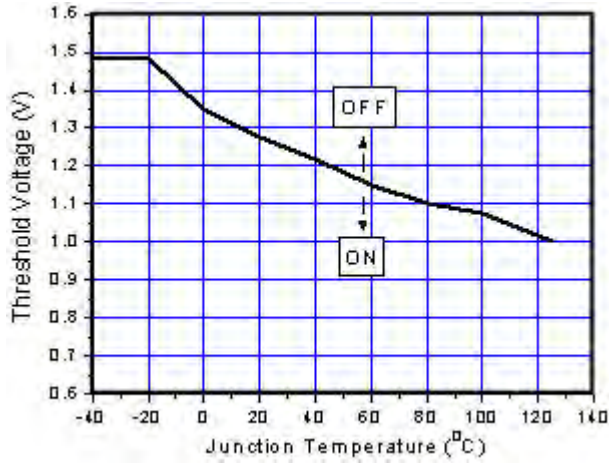


Figure 8. ON/OFF Pin Voltage

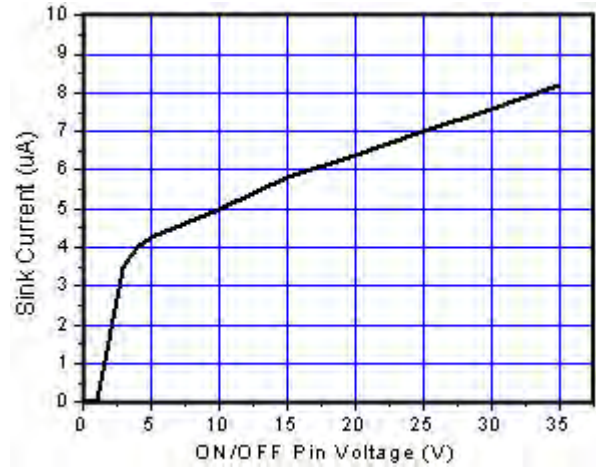


Figure 9. ON/OFF Pin Sink Current

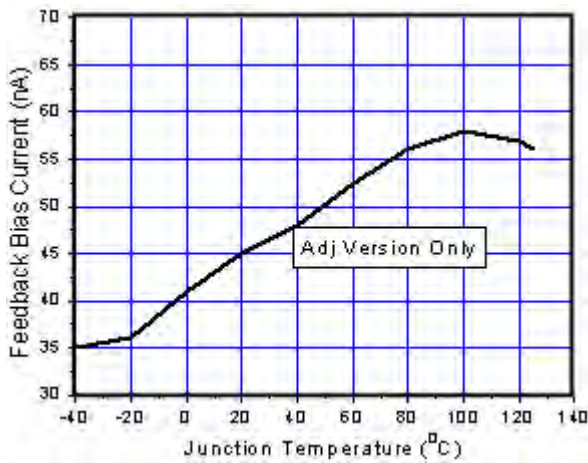


Figure 10. Output Saturation Characteristics

3A 150KHZ PWM Buck DC/DC Converter

Typical Application Circuit (3.3V Fixed Output Voltage Version)

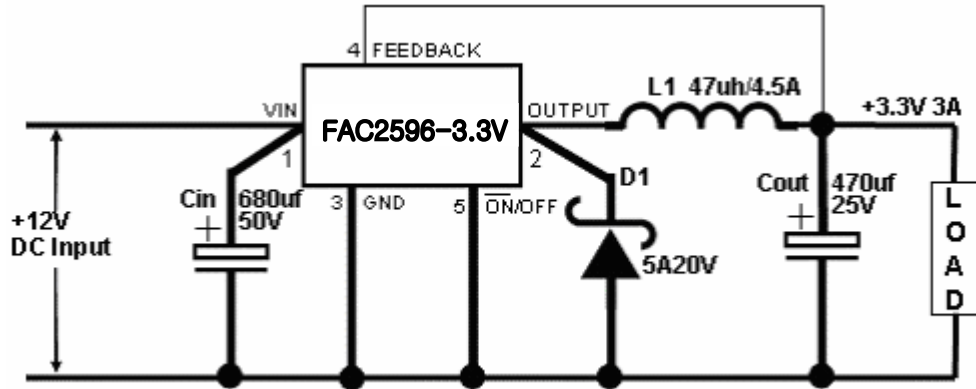


Figure 11. Typical Application of FAC2596 For 3.3V

Input Voltage	Inductor (L1)	Output Capacitor (Cout)	
		Through Hole Electrolytic	Surface Mount Tantalum
6V ~ 18V	47uh	470uf/25V	330uf/6.3V
6V ~ 45V	68uh	560uf/25V	330uf/6.3V

Table 1. FAC2596 Series Buck Regulator Design Procedure For 3.3V

3A 150KHZ PWM Buck DC/DC Converter

Typical Application Circuit (5V Fixed Output Voltage Version)

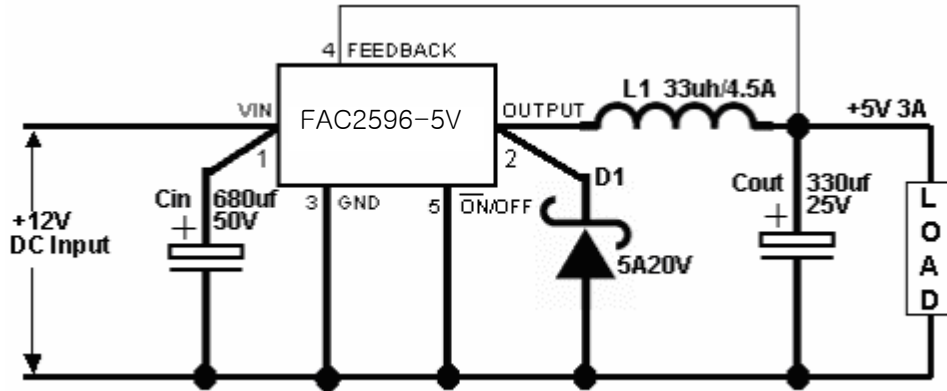


Figure 12. Typical Application of FAC2596 For 5V

Input Voltage	Inductor (L1)	Output Capacitor (Cout)	
		Through Hole Electrolytic	Surface Mount Tantalum
8V ~ 18V	33uh	330uf/25V	220uf/10V
8V ~ 45V	47uh	470uf/25V	330uf/10V

Table 2. FAC2596 Series Buck Regulator Design Procedure For 5V

3A 150KHZ PWM Buck DC/DC Converter

Typical Application Circuit (Adjustable Output Voltage Version)

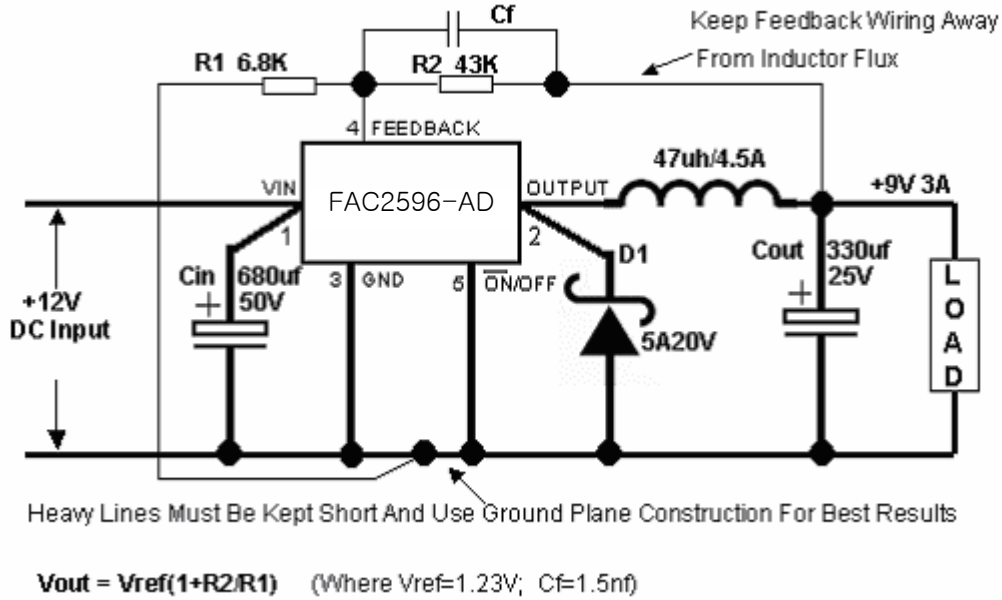


Figure 13. Typical Application of FAC2596 For ADJ

Vout	R1	R2	Cf (Operational)
3.3V	1.6K	2.7K	33nf
5V	3.6K	11K	10nf
9V	6.8K	43K	1.5nf
12V	1.5K	13K	1nf

Table 3. Vout VS. R1,R2, Cf Select Table

Output Voltage	Input Voltage	Inductor (L1)	Output Capacitor (Cout)
			Through Hole Electrolytic
3.3V	6V ~ 18V	47uH	470uF/25V
	6V ~ 45V	68uH	560uF/25V
5V	8V ~ 18V	33uH	330uF/25V
	8V ~ 45V	47uH	470uF/25V
9V	12V ~ 18V	47uH	330uF/25V
	12V ~ 45V	47uH	470uF/25V
12V	15V ~ 18V	47uH	220uF/25V
	15V ~ 45V	47uH	330uF/25V

Table 4. Typical Application Buck Regulator Design Procedure



3A 150KHZ PWM Buck DC/DC Converter

Function Description

Pin Functions

+V_{IN}

This is the positive input supply for the IC switching regulator. A suitable input bypass capacitor must be present at this pin to minimize voltage transients and to supply the switching currents needed by the regulator

Ground

Circuit ground.

Output

Internal switch. The voltage at this pin switches between $(+V_{IN} - V_{SAT})$ and approximately $-0.5V$, with a duty cycle of approximately V_{OUT}/V_{IN} . To minimize coupling to sensitive circuitry, the PC board copper area connected to this pin should be kept a minimum.

Feedback

Senses the regulated output voltage to complete the feedback loop.

ON/OFF

Allows the switching regulator circuit to be shutdown using logic level signals thus dropping the total input supply current to approximately 80uA. Pulling this pin below a threshold voltage of approximately 1.3V turns the regulator on, and pulling this pin above 1.3V (up to a maximum of 25V) shuts the regulator down. If this shutdown feature is not needed, the ON /OFF pin can be wired to the ground pin or it can be left open, in either case the regulator will be in the ON condition.

Thermal Considerations

The FAC2596 is available in two packages, a 5-pin TO- 220B/TO- 220 and a 5-pin surface mount TO- 263.

The TO- 220B/TO- 220 package needs a heat sink under most conditions. The size of the heatsink depends on the input voltage, the output voltage, the load current and the ambient temperature. The junction temperature rises above ambient temperature for a 3A load and different input and output voltages. The data for these curves was taken with the FAC2596

(TO- 220B/TO- 220 package) operating as a buck switching regulator in an ambient temperature of 25°C (still air). These temperature rise numbers are all approximate and there are many factors that can affect these temperatures. Higher ambient temperatures require more heat sinking.

The TO- 263 surface mount package tab is designed to be soldered to the copper on a printed circuit board. The copper and the board are the heat sink for this package and the other heat producing components such as the catch diode and inductor. The PC board copper area that the package is soldered to should be at least 0.4 in², and ideally should have 2 or more square inches of 2 oz. Additional copper area improves the thermal characteristics, but with copper areas greater than approximately 6 in² only small improvements in heat dissipation are realized. If further thermal improvements are needed, double sided, multilayer PC board with large copper areas and/or airflow are recommended.

The FAC2596 (TO- 263 package) junction temperature rise above ambient temperature with a 3A load for various input and output voltages. This data was taken with the circuit operating as a buck switching regulator with all components mounted on a PC board to simulate the junction temperature under actual operating conditions. This curve can be used for a quick check for the approximate junction temperature for various conditions, but be aware that there are many factors that can affect the junction temperature. When load currents higher than 3A are used, double sided or multilayer PC boards with large copper areas and/or airflow might be needed, especially for high ambient temperatures and high output voltages.

For the best thermal performance, wide copper traces and generous amounts of printed circuit board copper should be used in the board layout. (Once exception to this is the output (switch) pin, which should not have large areas of copper.) Large areas of copper provide the best transfer of heat (lower thermal resistance) to the surrounding air, and moving air lowers the thermal resistance even further.

Setting the Output Voltage

The output voltage is set using a resistive voltage divider from the output voltage to FB(FAC2596- ADJ) The voltage divider divides the

3A 150KHZ PWM Buck DC/DC Converter

output voltage down by the ratio:

$$VFB = VOUT * R1 / (R1 + R2)$$

Thus the output voltage is:

$$VOUT = 1.23 * (R1 + R2) / R1$$

R1 can be as high as 100KΩ, but a typical value is 10KΩ. Using that value, R2 is determined by:

$$R2 \sim 8.13 * (VOUT - 1.23) (K\Omega)$$

For example, for a 3.3V output voltage, R1 is 10KΩ, and R2 is 17KΩ .

Inductor

The inductor is required to supply constant current to the output load while being driven by the switched input voltage. A larger value inductor results in less ripple current that in turn results in lower output ripple voltage. However, the larger value inductor has a larger physical size, higher series resistance, and/or lower saturation current. Choose an inductor that does not saturate under the worst- case load conditions. A good rule for determining the inductance is to allow the peak- to- peak ripple current in the inductor to be approximately 30% of the maximum load

current. Also, make sure that the peak inductor current (the load current plus half the peak- to- peak inductor ripple current) is below the TBDA minimum current limit. The inductance value can be calculated by the equation:

$$L = (VOUT) * (VIN - VOUT) / VIN * f * \Delta I$$

Where VOUT is the output voltage, VIN is the input voltage, f is the switching frequency, and ΔI is the peak- to- peak inductor ripple current.

Input Capacitor

The input current to the step- down converter is discontinuous, and so a capacitor is required to supply the AC current to the step- down converter while maintaining the DC input voltage. A low ESR capacitor is required to keep the noise at the IC to a minimum.

Ceramic capacitors are preferred, but tantalum or low- ESR electrolytic capacitors may also suffice.

The input capacitor value should be greater than 10μF. The capacitor can be electrolytic, tantalum or ceramic. However since it absorbs the input switching current it requires an adequate ripple current rating. Its RMS current rating should be greater than approximately

1/2 of the DC load current.

For insuring stable operation should be placed as close to the IC as possible.

Alternately a smaller high quality ceramic 0.1μF capacitor may be placed closer to the IC and a larger capacitor placed further away. If using this technique, it is recommended that the larger capacitor be a tantalum or electrolytic type. All ceramic capacitors should be places close to the FAC2596.

Output Capacitor

The output capacitor is required to maintain the DC output voltage. Low ESR capacitors are preferred to keep the output voltage ripple low. The characteristics of the output capacitor also affect the stability of the regulation control system. Ceramic, tantalum, or low ESR electrolytic capacitors are recommended. In the case of ceramic capacitors, the impedance at the switching frequency is dominated by the capacitance, and so the output voltage ripple is mostly independent of the ESR . The output voltage ripple is estimated to be:

$$VRIPPLE \sim 1.4 * VIN * (fLC / fSW)^2$$

Where VRIPPLE is the output ripple voltage, VIN is the input voltage, fLC is the resonant frequency of the LC filter, fSW is the switching frequency. In the case of tanatalum or low- ESR electrolytic capacitors, the ESR dominates the impedance at the switching frequency, and so the output ripple is calculated as:

$$VRIPPLE \sim \Delta I * RESR$$

Where VRIPPLE is the output voltage ripple, ΔI is the inductor ripple current, and RESR is the equivalent series resistance of the output capacitors.

Output Rectifier Diode

The output rectifier diode supplies the current to the inductor when the high- side switch is off. To reduce losses due to the diode forward voltage and recovery times, use a Schottky rectifier.

Table 1 provides the Schottky rectifier part numbers based on the maximum input voltage and current rating.

Choose a rectifier who's maximum reverse voltage rating is greater than the maximum input voltage, and who's current rating is greater than the maximum load current.

3A 150KHZ PWM Buck DC/DC Converter

Over Current Protection (OCP)

The cycle by cycle current limit threshold is set between 4A and 5A. When the load current reaches the current limit threshold, the cycle by cycle current limit circuit turns off the high side switch immediately to terminate the current duty cycle. The inductor current stops rising. The cycle by cycle current limit protection directly limits inductor peak current. The average inductor current is also limited due to the limitation on peak inductor current. When the cycle by cycle current limit circuit is triggered, the output voltage drops as the duty cycle is decreasing.

Thermal Management and Layout Consideration

In the FAC2596 buck regulator circuit, high pulsing current flows through two circuit loops. The first loop starts from the input capacitors, to the VIN pin, to the VOUT pins, to the filter inductor, to the output capacitor and load, and then returns to the input capacitor through ground.

Current flows in the first loop when the high side switch is on. The second loop starts from the inductor, to the output capacitors and load, to the GND pin of the FAC2596, and to the VOUT pins of the FAC2596. Current flows in the second loop when the low side diode is on.

In PCB layout, minimizing the two loops area reduces the noise of this circuit and improves efficiency. A ground plane is recommended to connect input capacitor, output capacitor, and GND pin of the FAC2596.

In the FAC2596 buck regulator circuit, the two major power dissipating components are the FAC2596 and output inductor. The total power dissipation of converter circuit can be measured by input power minus output power.

$$P_{total_loss} = V_{IN} \times I_{IN} - V_O \times I_O$$

The power dissipation of inductor can be approximately calculated by output current and DCR of inductor.

$$P_{inductor_loss} = I_O^2 \times R_{inductor} \times 1.1$$

The junction to ambient temperature can be got from power dissipation in the FAC2596 and thermal impedance from junction to ambient.

$$T_{(jun-amb)} = (P_{totalloss} - P_{inductorloss}) \times \Theta_{JA}$$

The maximum junction temperature of FAC2596 is 145°C, which limits the maximum load current capability. Please see the thermal derating curves for the maximum load current of the FAC2596 under different ambient temperatures.

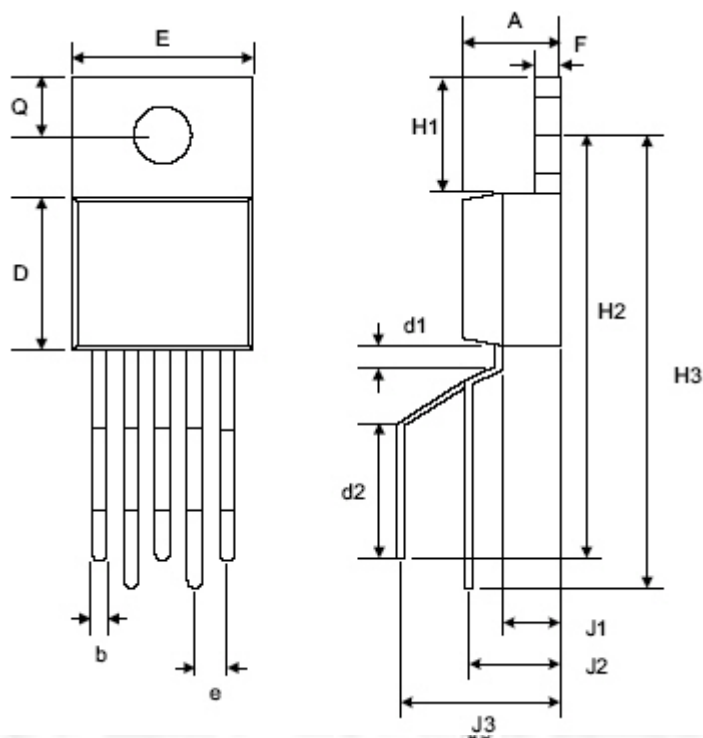
The thermal performance of the FAC2596 is strongly affected by the PCB layout. Extra care should be taken by users during the design process to ensure that the IC will operate under the recommended environmental conditions.

Several layout tips are listed below for the best electric and thermal performance.

1. Do not use thermal relief connection to the VIN and the GND pin. Pour a maximized copper area to the GND pin and the VIN pin to help thermal dissipation.
2. Input capacitor should be connected to the VIN pin and the GND pin as close as possible.
3. Make the current trace from VOUT pins to L to the GND as short as possible.
4. Pour copper plane on all unused board area and connect it to stable DC nodes, like VIN, GND, or VOUT.
5. Keep sensitive signal traces such as trace connecting FB pin away from the VOUT pins.

Package Information (TO220B- 5L)

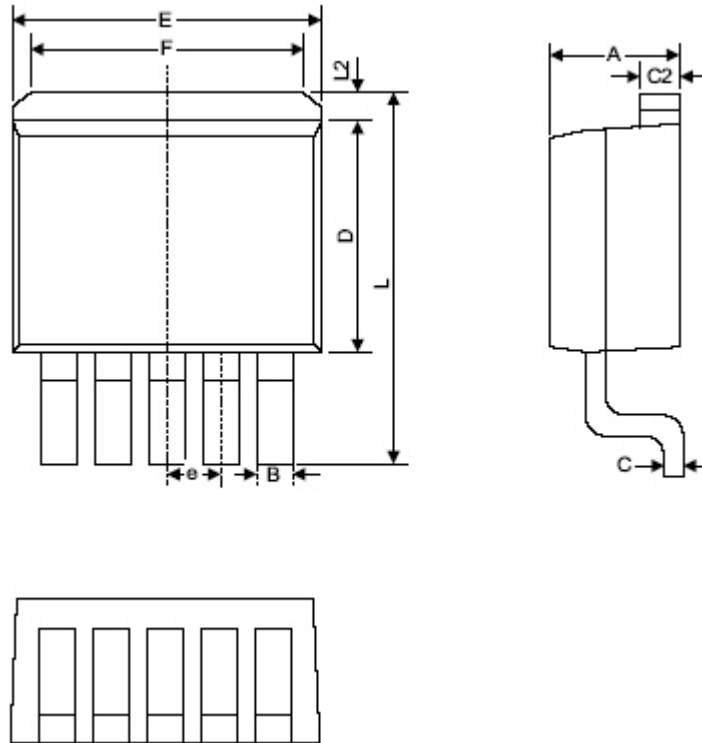
3A 150KHZ PWM Buck DC/DC Converter



Symbol	Dimensions In Millimeters		Dimensions In Inches	
	Min.	Max.	Min.	Max.
A	0.44	0.47	0.175	0.185
b	0.07	0.09	0.027	0.037
D	0.84	0.89	0.330	0.350
d1	0.10		0.039	
d2	0.63		0.248	
E	9.91	10.41	0.390	0.410
e	0.16	0.18	0.062	0.072
F	0.12	0.13	0.048	0.052
H1	0.64		0.250	
H2	2.08	2.24	0.820	0.880
H3	2.39	2.55	0.942	1.002
J1	0.27		0.105	
J2	0.37	0.53	0.147	0.207
J3	0.84		0.331	
Q	0.25	0.30	0.100	0.120

3A 150KHZ PWM Buck DC/DC Converter

Package Information (TO263- 5L)



Symbol	Dimensions In Millimeters		Dimensions In Inches	
	Min.	Max.	Min.	Max.
A	4.06	4.83	0.160	0.190
B	0.76	1.02	0.030	0.040
C	0.36	0.64	0.014	0.025
C2	1.14	1.40	0.045	0.055
D	8.64	9.65	0.340	0.380
E	9.78	10.54	0.385	0.415
e	1.57	1.85	0.062	0.073
F	6.60	7.11	0.260	0.280
L	15.11	15.37	0.595	0.605
L2	-	1.40	-	0.055