

3 Amps, 800 Volts N-CHANNEL MOSFET

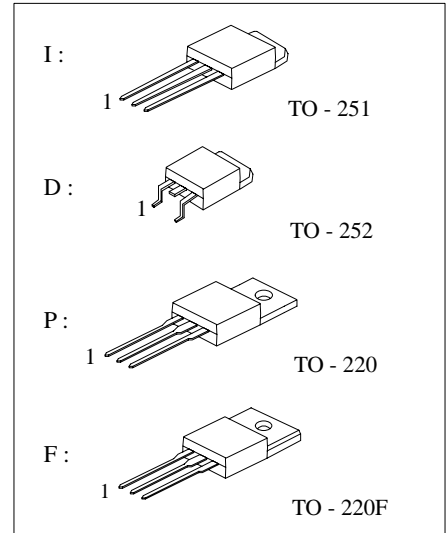
Power MOSFET

■ DESCRIPTION

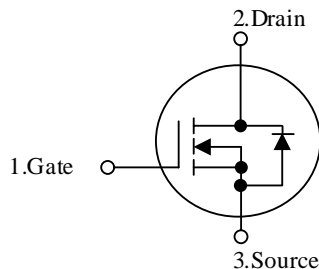
The FTK 3N80 is a high voltage MOSFET and is designed to have better characteristics, such as fast switching time, low gate charge, low on-state resistance and have a high rugged avalanche characteristics. This power MOSFET is usually used at high speed switching applications in switching power supplies and adaptors.

■ FEATURES

- * $R_{DS(ON)} = 5\Omega @ V_{GS} = 10V$
- * Low gate and reverse transfer Capacitance (C: 16 pF typical)
- * Fast switching capability
- * Avalanche energy tested
- * Improved dv/dt capability, high ruggedness



■ SYMBOL



■ ORDERING INFORMATION

Ordering Number	Package	Pin Assignment			Packing
		1	2	3	
FTK3N80P	TO-220	G	D	S	Tube
FTK3N80F	TO-220F	G	D	S	Tube
FTK3N80I	TO-251	G	D	S	Tube
FTK3N80D	TO-252	G	D	S	Tape Reel

Note: Pin Assignment: G: Gate D: Drain S: Source



FTK3N80P/F/D/I

Power MOSFET

■ ABSOLUTE MAXIMUM RATINGS (T_C=25°C, unless otherwise specified)

PARAMET		SYMBOL	RATINGS	UNIT
Drain-Source Voltage		V _{DSS}	800	V
Gate-Source Voltage		V _{GSS}	±30	V
Avalanche Current (Note 1)		I _{AR}	7.4	A
Continuous Drain Current	T _C = 25°C	I _D	3	A
	T _C = 100°C		1.8	
Pulsed Drain Current (Note 1)		I _{DM}	12	A
Avalanche Energy	Single Pulse(Note 2)	E _{AS}	384	mJ
	Repetitive Limited by T _{J(MAX)}	E _{AR}	11	mJ
Peak Diode Recovery dv/dt (Note 3)		dv/dt	4.5	V/ns
Total Power Dissipation (TO-251/252/TO-220F/220)	T _C = 25°C	P _D	45/45/31/62.5	W
	Derate above 25°C			W / °C
Junction Temperature		T _J	+150	°C
Operating and Storage Temperature		T _{STG}	-55 ~ +150	°C

Note: Absolute maximum ratings are those values beyond which the device could be permanently damaged.

Absolute maximum ratings are stress ratings only and functional device operation is not implied.

■ THERMAL DATA

PARAMETER	SYMBOL	MIN	TYP	MAX	UNIT
Junction-to-Ambient	θ _{JA}			62.5	°C / W
Junction-to-Case	θ _{Jc}			3	

■ ELECTRICAL CHARACTERISTICS (T_C = 25°C, unless Otherwise specified.)

PARAMETER	SYMBOL	TEST CONDITIONS	MIN	TYP	MAX	UNIT
OFF CHARACTERISTICS						
Drain-Source Breakdown Voltage	BV _{DSS}	V _{GS} = 0V, I _D = 250μA	800			V
Drain-Source Leakage Current	I _{DSS}	V _{DS} = 800V, V _{GS} = 0V			1	μA
		V _{DS} = 640V, T _C = 125°C			10	μA
Gate-Body Leakage Current	Forward	I _{GSSF}	V _{GS} = 30V, V _{DS} = 0V		100	nA
	Reverse	I _{GSSR}	V _{GS} = -30V, V _{DS} = 0V		-100	nA
Breakdown Voltage Temperature Coefficient	ΔBV _{DSS} / ΔT _J	I _D = 250μA, Referenced to 25°C		0.9		V / °C
ON CHARACTERISTICS						
Gate Threshold Voltage	V _{GS(TH)}	V _{DS} = V _{GS} , I _D = 250μA	3.0		5.0	V
Static Drain-Source On-Resistance	R _{DS(ON)}	V _{GS} = 10V, I _D = 1.5A		4.0	5.0	Ω
DYNAMIC CHARACTERISTICS						
Input Capacitance	C _{ISS}	V _{DS} = 25V, V _{GS} = 0V, f = 1.0MHz		600		pF
Output Capacitance	C _{OSS}			70		pF
Reverse Transfer Capacitance	C _{RSS}			10		pF
SWITCHING CHARACTERISTICS						
Turn-On Delay Time	t _{D(ON)}	V _{DD} = 400V, I _D = 3A, R _G = 25Ω (Note 4,5)		50		ns
Turn-On Rise Time	t _r			50		ns
Turn-Off Delay Time	t _{D(OFF)}			40		ns
Turn-Off Fall Time	t _f			40		ns
Total Gate Charge	Q _G	V _{DS} = 640V, I _D = 3A, V _{GS} = 10V (Note 4,5)		17		nC
Gate-Source Charge	Q _{GS}			4		nC
Gate-Drain Charge	Q _{GD}			8		nC



■ ELECTRICAL CHARACTERISTICS(Cont.)

PARAMETER	SYMBOL	TEST CONDITIONS	MIN	TYP	MAX	UNIT
DRAIN-SOURCE DIODE CHARACTERISTICS AND MAXIMUM RATINGS						
Drain-Source Diode Forward Voltage	V_{SD}	$V_{GS} = 0\text{ V}, I_S = 3.0\text{ A}$			1.5	V
Maximum Continuous Drain-Source Diode Forward Current	I_S				3	A
Maximum Pulsed Drain-Source Diode Forward Current	I_{SM}				12	A
Reverse Recovery Time	t_{RR}	$V_{GS} = 0\text{ V}, I_S = 3.0\text{ A},$		700		ns
Reverse Recovery Charge	Q_{RR}	$dI_F/dt = 100\text{ A}/\mu\text{s}$ (Note 4)		7.0		μC

Note:

1. Repetitive Rating : Pulse width limited by maximum junction temperature
2. $L = 80\text{mH}, I_{AS} = 3\text{A}, V_{DD} = 50\text{V}, R_G = 25\ \Omega,$ Starting $T_J = 25^\circ\text{C}$
3. $I_{SD} \leq 3\text{A}, di/dt \leq 300\text{A}/\mu\text{s}, V_{DD} \leq BV_{DSS},$ Starting $T_J = 25^\circ\text{C}$
4. Pulse Test: Pulse width $\leq 300\mu\text{s},$ Duty cycle $\leq 2\%$
5. Essentially independent of operating temperature

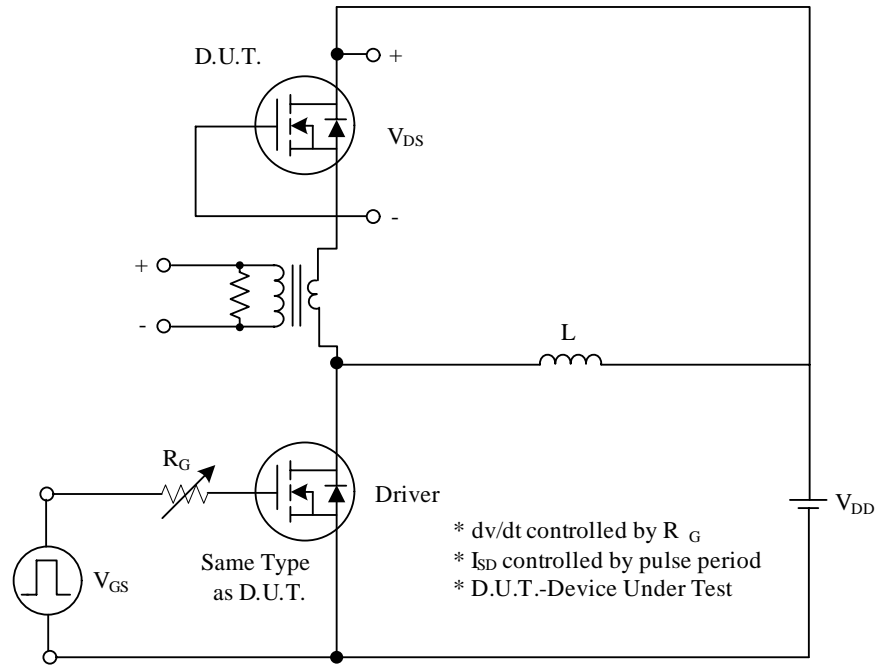


Fig. 1A Peak Diode Recovery dv/dt Test Circuit

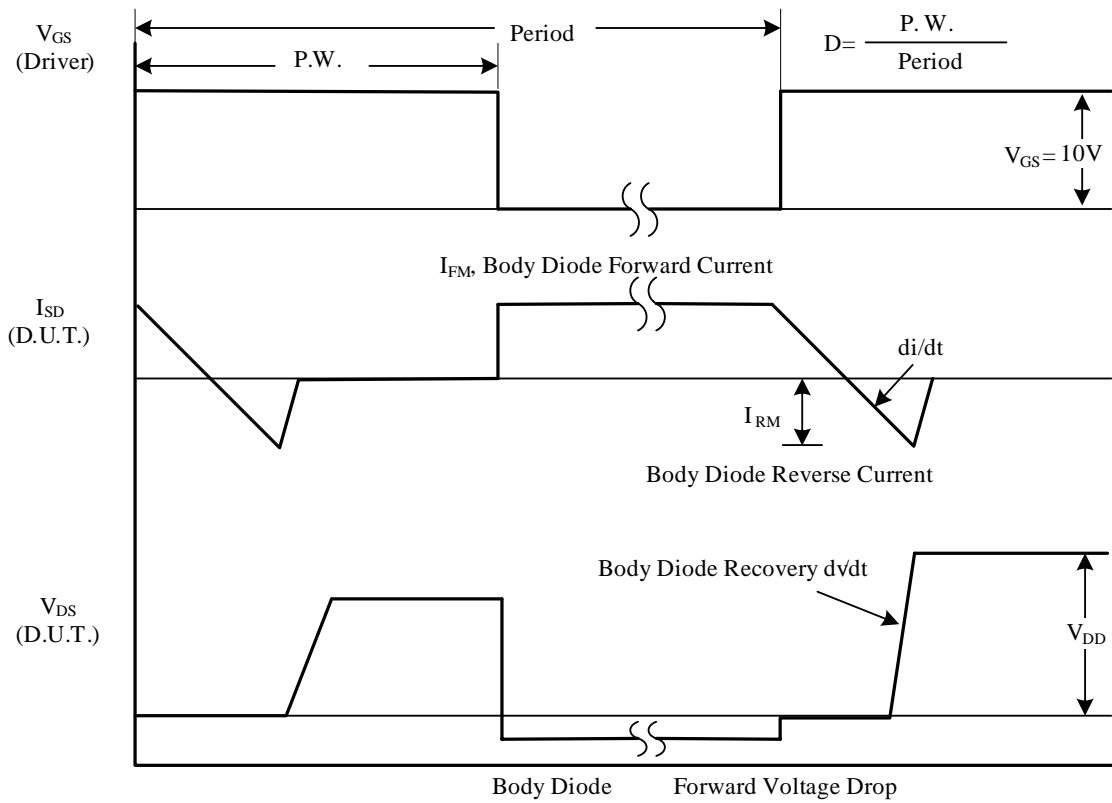


Fig. 1B Peak Diode Recovery dv/dt Waveforms

TEST CIRCUITS AND WAVEFORMS (Cont.)

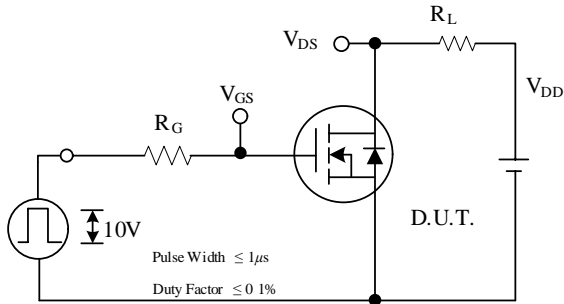


Fig. 2A Switching Test Circuit

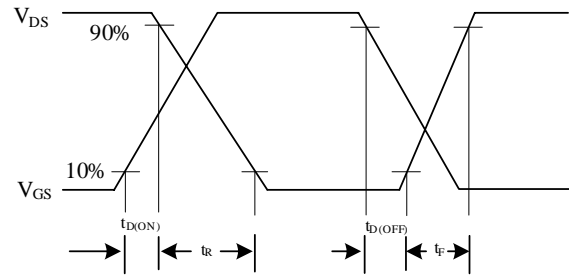


Fig. 2B Switching Waveforms

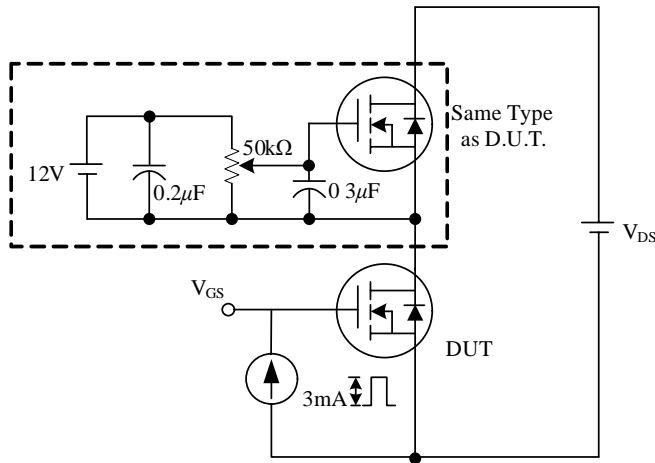


Fig. 3A Gate Charge Test Circuit

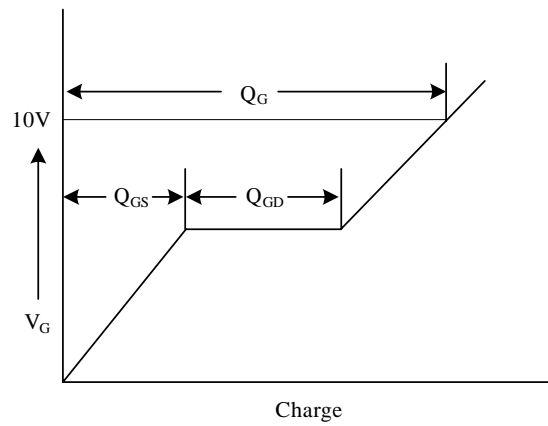


Fig. 3B Gate Charge Waveform

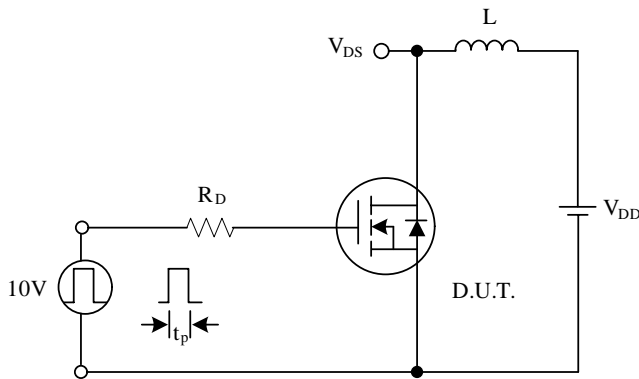


Fig. 4A Unclamped Inductive Switching Test Circuit

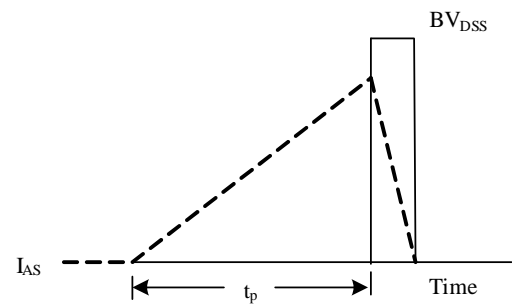
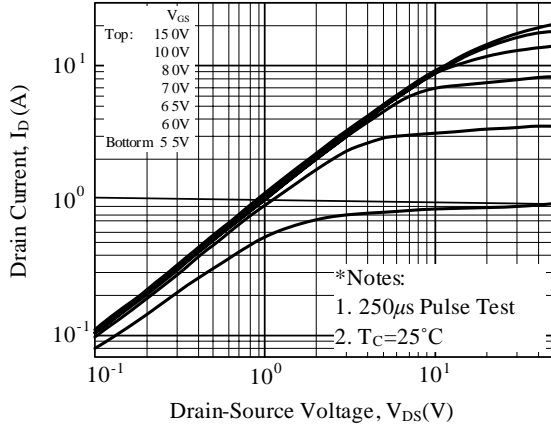
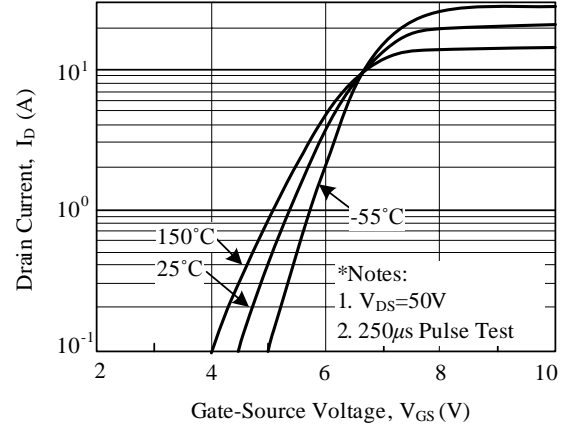


Fig. 4B Unclamped Inductive Switching Waveforms

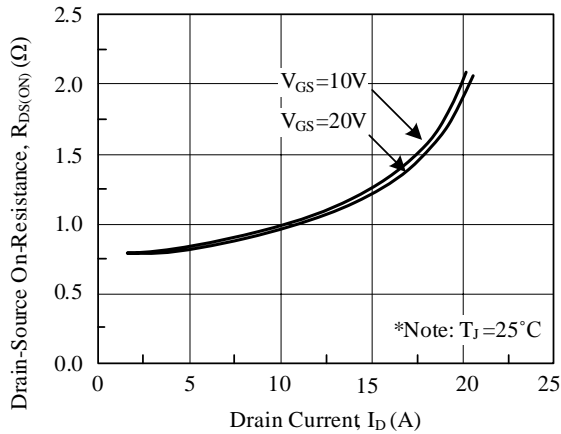
On-Region Characteristics



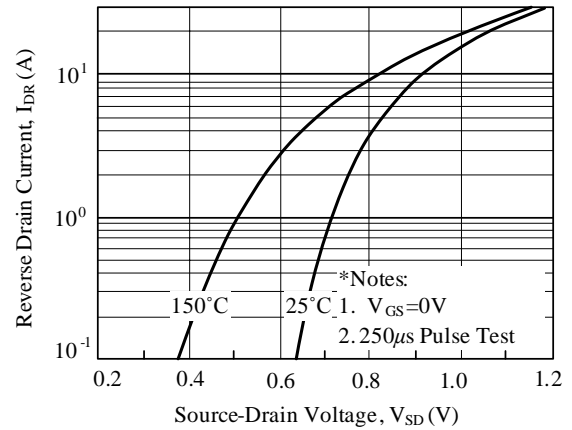
Transfer Characteristics



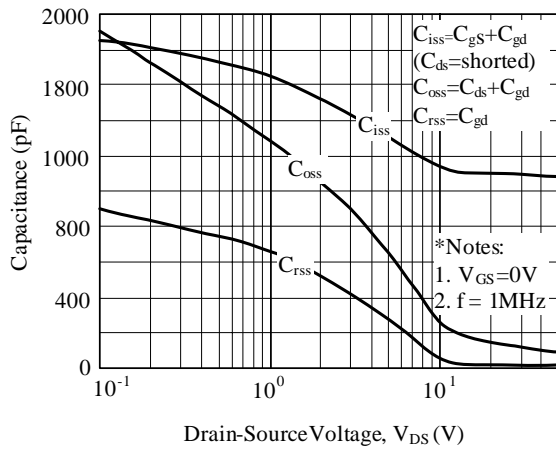
On-Resistance Variation vs Drain Current and Gate Voltage



Body Diode Forward Voltage Variation vs Source Current and Temperature



Capacitance Characteristics



Maximum Safe Operating Area

