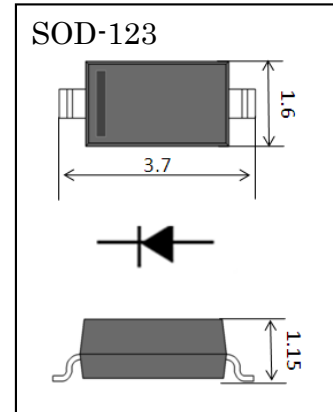


## Switching Diode

- ◇ Fast switching devices
- ◇ SOD123 Micro SMD package
- ◇ RoHS compliant / Green EMC
- ◇ Matte Tin (Sn) Lead finish
- ◇ Cathode Band / Device marking
- ◇ Surface Mount Package Ideally Suited for Automatic Insertion
- ◇ For General Purpose Switching Applications
- ◇ High Conductance

Device Marking Code	
<b>BAV16W</b>	T6 or T6 •



### Maximum Ratings (Ta = 25 °C)

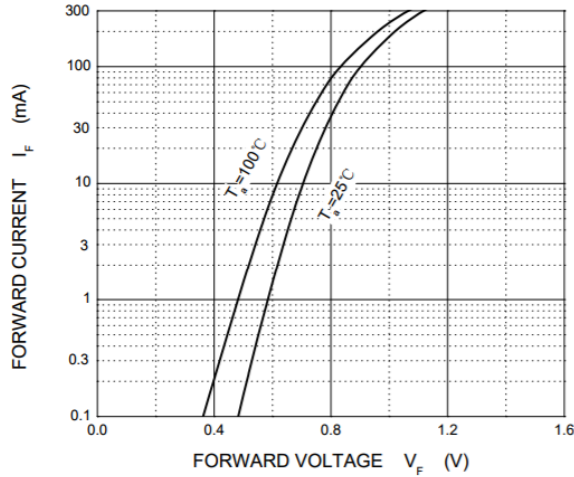
Symbol	Parameter	Value	Units
$V_{RM}$	Non-Repetitive Peak Reverse Voltage	100	V
$V_{RRM}$	Repetitive Peak Reverse Voltage	100	V
$V_{R(RMS)}$	RMS Reverse Voltage	75	V
$I_{FM}$	Forward Continuous Current	300	mA
$I_O$	Average Rectified Output Current	150	mA
$I_{FSM}$	Non-Repetitive Peak Forward Surge Current ( @t=1.0us )	2.0	A
$P_D$	Power Dissipation	350	mW
$T_J$	Junction Temperature	150	°C
$T_{STG}$	Storage Temperature	-55 to +150	°C

### Electrical Characteristics (Ta = 25 °C)

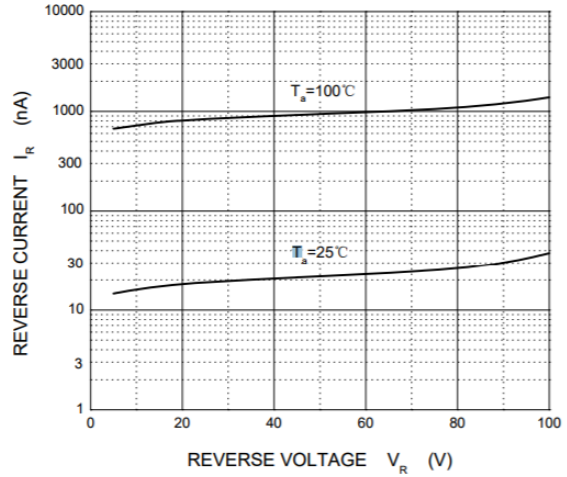
Symbol	Parameter	Conditions	Min	Max	Units
$V_F$	Forward Voltage	$I_F = 1mA$		0.715	V
		$I_F = 10mA$		0.855	V
		$I_F = 50mA$		1.0	V
		$I_F = 150mA$		1.25	V
$I_R$	Reverse current	$V_R = 75V$ (25°C)		1	µA
		$V_R = 20V$ (25°C)		25	nA
		$V_R = 75V$ (150°C)		50	µA
$C_T$	Capacitance	$V_R = 0V, f = 1MHz$		2	pF
$t_{rr}$	Reverse Recovery Time	$I_F = I_R = 10mA,$ $I_{RR} = 1mA, R_L = 100\Omega$		4	ns

## Switching Diode

### Characteristics Curves



Forward current(IF) vs Forward voltage(VF)



Reverse current(IR) vs Reverse voltage(VR)

### Ordering Information

Device	Package	Shipping	Tape wide	Emboss pitch	Tape specification	Notes
<b>BAV16W</b>	SOD123	Tape & Reel 3000pcs /7" Reel	8 mm	4 mm	Conductive	

### Package Dimensions

