

Dual Schottky Barrier Rectifiers Reverse Voltage 100 Volts , Forward Current 20A

FEATURES

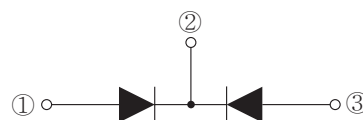
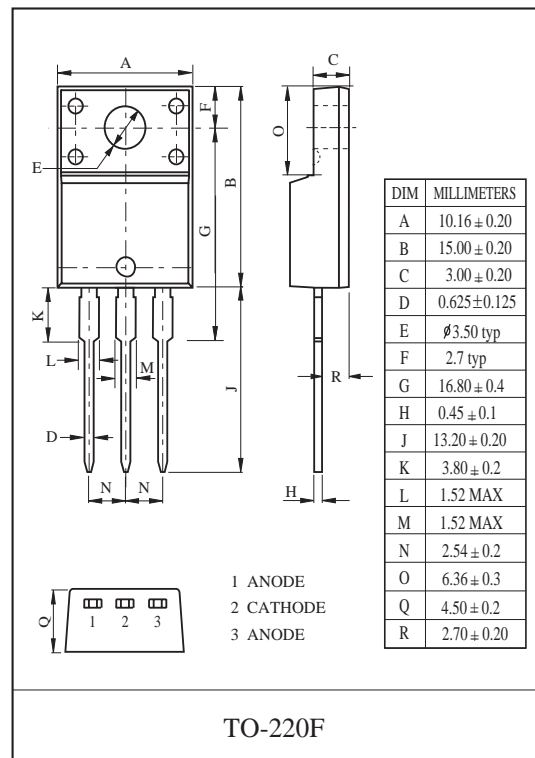
- Average Output Rectified Current
: $I_O = 20A$.
- Repetitive Peak Reverse Voltage
: $V_{RRM} = 100V$.
- Low Forward Voltage.
- Low Reverse Current.

APPLICATIONS

- Switching Mode Power Supply
- Converter & Chopper

MAXIMUM RATING (Ta=25°C unless otherwise noted)

CHARACTERISTIC	SYMBOL	RATING	UNIT
Repetitive Peak Reverse Voltage	V_{RRM}	100	V
Maximum Average Forward Rectified Current	$I_{F(AV)}$	20 10	A
Peak One Cycle Surge Forward Current (Non-Repetitive 60Hz)	I_{FSM}	180	A
Junction Temperature	T_j	150	°C
Storage Temperature Range	T_{stg}	-40 ~ 150	°C



ELECTRICAL CHARACTERISTICS (Ta=25°C unless otherwise noted)

CHARACTERISTIC	SYMBOL	TEST CONDITION	MIN.	TYP.	MAX.	UNIT
Reverse Breakdown Voltage	$V_{(BR)}$	$I_R = 0.1mA$	100	113	-	V
Peak Forward Voltage	V_F	$I_F = 1A$	-	0.39	-	V
		$I_F = 3A$	-	0.47	-	
		$I_F = 5A$	-	0.53	-	
		$I_F = 10A$	-	0.67	0.73	
Repetitive Peak Reverse Current	I_{RRM}	$V_{RRM} = 100V$	-	12	50	uA
Thermal Resistance	$R_{th(j-c)}$	Juction to Case	-	-	3.5	°C/W



TMBRF20100CT

RATINGS AND CHARACTERISTIC CURVES

