

ESD Protection Diodes

Features

- 350 Watts Peak Pulse Power per Line (tp=8/20μs)
- Protects one I/O or power line(bidirectional)
- Low clamping voltage
- Working voltages: 3, 3V, 5V, 8V,12V, 15V, 24V
- Low leakage current

IEC Compatibility

- IEC61000-4-2 (ESD) ±15kV (air), ±8kV (contact)
- IEC61000-4-4 (EFT) 40A (5/50ns)

Applications

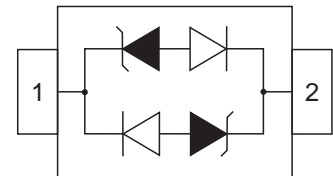
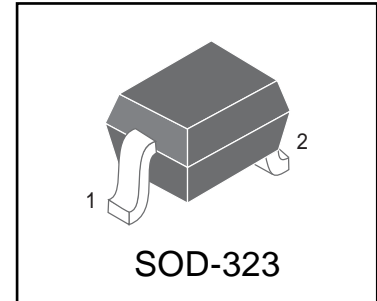
- Cell Phone Handsets and Accessories
- Microprocessor based equipment
- Personal Digital Assistants(PDA's)
- Notebooks,Desktops,and Servers
- Portable Instrumentation
- Peripherals
- USB Interface

Mechanical Characteristics

- JEDEC SOD-323 Package
- Molding Compound Flammability Rating:UL 94V-O
- Weight 5 Milligrams(Approximate)
- Quantity Per Reel:3000pcs
- Reel Size:7 inch
- Lead Finish:Lead Free

Maximum Ratings(T_A =25°C unless otherwise specified)

Parameter	Symbol	Value	Units
Peak Pulse Power(tp=8/20μs)	P _{PP}	350	Watts
Lead Soldering Temperature	T _L	260(10 sec.)	°C
Operating Temperature Range	T _J	-55~150	°C
Storage Temperature Range	T _{STG}	-55~150	°C





FTVUSD03FB ~ FTVUSD24FB

Electrical Characteristics($T_A = 25^\circ\text{C}$ unless otherwise specified)

FTVUSD03FB(Marking:CC)					
Parameter	Symbol	Conditions	Min.	Max.	Units
Reverse Stand-off Voltage	V_{RWM}			3.3	V
Breakdown Voltage	V_{BR}	$I_T=1\text{mA}$	4		V
Clamping Voltage	V_C	$I_{PP}=1\text{A}, t_p=8/20\mu\text{s}$		7.5	V
		$I_{PP}=8\text{A}, t_p=8/20\mu\text{s}$		13.9	V
Reverse Leakage Current	I_R	@ V_{RWM}		20	μA
Junction Capacitance	$C_{I/O}$	0Vdc, f=1MHz Between I/O Pins and GND		1.5	pF

FTVUSD05FB(Marking:AC)					
Parameter	Symbol	Conditions	Min.	Max.	Units
Reverse Stand-off Voltage	V_{RWM}			5	V
Breakdown Voltage	V_{BR}	$I_T=1\text{mA}$	6		V
Clamping Voltage	V_C	$I_{PP}=1\text{A}, t_p=8/20\mu\text{s}$		9.8	V
		$I_{PP}=8\text{A}, t_p=8/20\mu\text{s}$		18.5	V
Reverse Leakage Current	I_R	@ V_{RWM}		5	μA
Junction Capacitance	$C_{I/O}$	0Vdc, f=1MHz Between I/O Pins and GND		1.5	pF

FTVUSD08FB(Marking:BC)					
Parameter	Symbol	Conditions	Min.	Max.	Units
Reverse Stand-off Voltage	V_{RWM}			8	V
Breakdown Voltage	V_{BR}	$I_T=1\text{mA}$	8.5		V
Clamping Voltage	V_C	$I_{PP}=1\text{A}, t_p=8/20\mu\text{s}$		13.4	V
		$I_{PP}=8\text{A}, t_p=8/20\mu\text{s}$		26	V
Reverse Leakage Current	I_R	@ V_{RWM}		2	μA
Junction Capacitance	$C_{I/O}$	0Vdc, f=1MHz Between I/O Pins and GND		1.5	pF



FTVUSD03FB ~ FTVUSD24FB

Electrical Characteristics($T_A = 25^\circ\text{C}$ unless otherwise specified)

FTVUSD12FB(Marking:DC)					
Parameter	Symbol	Conditions	Min.	Max.	Units
Reverse Stand-off Voltage	V_{RWM}			12	V
Breakdown Voltage	V_{BR}	$I_T=1\text{mA}$	13.3		V
Clamping Voltage	V_C	$I_{PP}=1\text{A}, t_p=8/20\mu\text{s}$		19	V
		$I_{PP}=7\text{A}, t_p=8/20\mu\text{s}$		30	V
Reverse Leakage Current	I_R	@ V_{RWM}		1	μA
Junction Capacitance	$C_{I/O}$	0Vdc, f=1MHz Between I/O Pins and GND		1.5	pF

FTVUSD15FB(Marking:EC)					
Parameter	Symbol	Conditions	Min.	Max.	Units
Reverse Stand-off Voltage	V_{RWM}			15	V
Breakdown Voltage	V_{BR}	$I_T=1\text{mA}$	16.7		V
Clamping Voltage	V_C	$I_{PP}=1\text{A}, t_p=8/20\mu\text{s}$		24	V
		$I_{PP}=6\text{A}, t_p=8/20\mu\text{s}$		35	V
Reverse Leakage Current	I_R	@ V_{RWM}		1	μA
Junction Capacitance	$C_{I/O}$	0Vdc, f=1MHz Between I/O Pins and GND		1.5	pF

FTVUSD24FB(Marking:HC)					
Parameter	Symbol	Conditions	Min.	Max.	Units
Reverse Stand-off Voltage	V_{RWM}			24	V
Breakdown Voltage	V_{BR}	$I_T=1\text{mA}$	26.7		V
Clamping Voltage	V_C	$I_{PP}=1\text{A}, t_p=8/20\mu\text{s}$		43	V
		$I_{PP}=3\text{A}, t_p=8/20\mu\text{s}$		56	V
Reverse Leakage Current	I_R	@ V_{RWM}		1	μA
Junction Capacitance	$C_{I/O}$	0Vdc, f=1MHz Between I/O Pins and GND		1.5	pF

Ratings and Characteristic Curves

Fig.1 Pulse Waveform

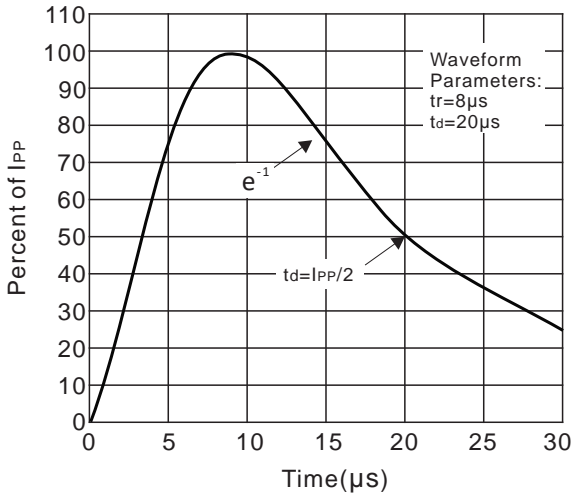
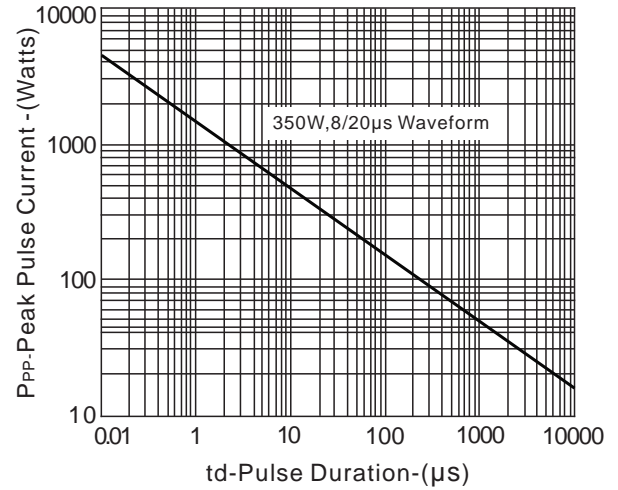
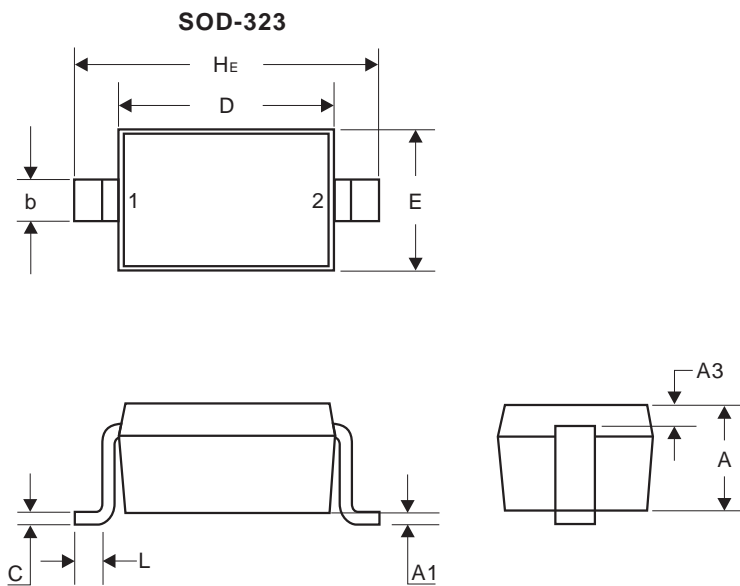


Fig.2 Peak Pulse Power vs. Pulse Time

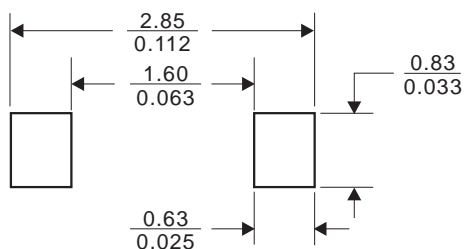


Outline and Dimensions



DIM	Millimeters		Inches	
	Min	Max	Min	Max
A	0.80	1.00	0.031	0.040
A1	0.00	0.10	0.000	0.004
A3	0.15REF		0.006REF	
b	0.25	0.40	0.010	0.016
C	0.089	0.177	0.003	0.007
D	1.60	1.80	0.062	0.070
E	1.15	1.35	0.045	0.053
L	0.08		0.003	
He	2.30	2.70	0.090	0.105

Recommended Mounting Pad Layout



Dimensions in (millimeters / inches)