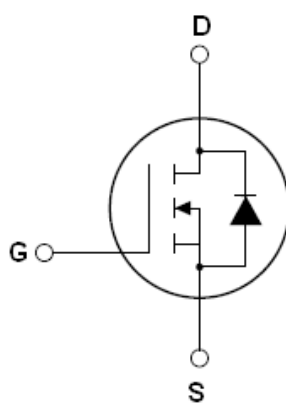


N-Channel Super Junction Power MOSFET

<p>General Description</p> <p>The series of devices use advanced trench gate super junction technology and design to provide excellent $R_{DS(ON)}$ with low gate charge. This super junction MOSFET fits the industry's AC-DC SMPS requirements for PFC, AC/DC power conversion, and industrial power applications.</p> <p>Features</p> <ul style="list-style-type: none"> ● New technology for high voltage device ● Low on-resistance and low conduction losses ● Small package ● Ultra Low Gate Charge cause lower driving requirements ● 100% Avalanche Tested ● ROHS compliant <p>Application</p> <ul style="list-style-type: none"> ● Power factor correction (PFC) ● Switched mode power supplies(SMPS) ● Uninterruptible Power Supply (UPS) 	<table border="1" style="width: 100%; border-collapse: collapse; margin-bottom: 10px;"> <tr> <td style="padding: 2px;">V_{DS}</td> <td style="padding: 2px;">650</td> <td style="padding: 2px;">V</td> </tr> <tr> <td style="padding: 2px;">$R_{DS(ON)TYP}$</td> <td style="padding: 2px;">220</td> <td style="padding: 2px;">$m\Omega$</td> </tr> <tr> <td style="padding: 2px;">I_D</td> <td style="padding: 2px;">15</td> <td style="padding: 2px;">A</td> </tr> </table> <div style="text-align: center;">  <p>Schematic diagram</p> </div>	V_{DS}	650	V	$R_{DS(ON)TYP}$	220	$m\Omega$	I_D	15	A
V_{DS}	650	V								
$R_{DS(ON)TYP}$	220	$m\Omega$								
I_D	15	A								

Package Marking And Ordering Information

Device	Device Package	Marking
FTK65T260DD	TO-263	NCE65T260D
FTK65T260P	TO-220	NCE65T260
FTK65T260F	TO-220F	NCE65T260F

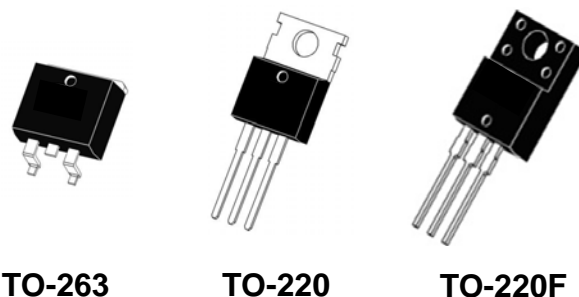


Table 1. Absolute Maximum Ratings ($T_C=25^\circ\text{C}$)

Parameter	Symbol	FTK65T260DD FTK65T260P	FTK65T260F	Unit
Drain-Source Voltage ($V_{GS}=0V$)	V_{DS}	650		V
Gate-Source Voltage ($V_{DS}=0V$) AC ($f>1$ Hz)	V_{GS}	± 30		V
Continuous Drain Current at $T_C=25^\circ\text{C}$	$I_D(DC)$	15	15*	A
Continuous Drain Current at $T_C=100^\circ\text{C}$	$I_D(DC)$	10	10*	A
Pulsed drain current ^(Note 1)	$I_{DM(pluse)}$	60	60*	A
Maximum Power Dissipation($T_C=25^\circ\text{C}$) Derate above 25°C	P_D	131 1.05	33.2 0.265	W W/ $^\circ\text{C}$
Single pulse avalanche energy ^(Note 2)	E_{AS}	304		mJ
Avalanche current ^(Note 1)	I_{AR}	3		A
Repetitive Avalanche energy, t_{AR} limited by T_{jmax} ^(Note 1)	E_{AR}	1.6		mJ



FTK65T260DD/P/F

Parameter	Symbol	FTK65T260DD FTK65T260P	FTK65T260F	Unit
Drain Source voltage slope, $V_{DS} \leq 480V$,	dv/dt	50		V/ns
Reverse diode dv/dt , $V_{DS} \leq 480V, I_{SD} < I_D$	dv/dt	15		V/ns
Operating Junction and Storage Temperature Range	T_J, T_{STG}	-55...+150		°C

* limited by maximum junction temperature

Table 2. Thermal Characteristic

Parameter	Symbol	FTK65T260DD FTK65T260P	FTK65T260F	Unit
Thermal Resistance, Junction-to-Case (Maximum)	R_{thJC}	0.95	3.76	°C/W
Thermal Resistance, Junction-to-Ambient (Maximum)	R_{thJA}	62	80	°C/W

Table 3. Electrical Characteristics (TA=25°C unless otherwise noted)

Parameter	Symbol	Condition	Min	Typ	Max	Unit
On/off states						
Drain-Source Breakdown Voltage	BV_{DSS}	$V_{GS}=0V, I_D=250\mu A$	650			V
Zero Gate Voltage Drain Current($T_C=25^\circ C$)	I_{DSS}	$V_{DS}=650V, V_{GS}=0V$			1	μA
Zero Gate Voltage Drain Current($T_C=125^\circ C$)	I_{DSS}	$V_{DS}=650V, V_{GS}=0V$			100	μA
Gate-Body Leakage Current	I_{GSS}	$V_{GS}=\pm 20V, V_{DS}=0V$			± 100	nA
Gate Threshold Voltage	$V_{GS(th)}$	$V_{DS}=V_{GS}, I_D=250\mu A$	3.0	3.5	4.0	V
Drain-Source On-State Resistance	$R_{DS(ON)}$	$V_{GS}=10V, I_D=8A$		220	260	m Ω
Dynamic Characteristics						
Input Capacitance	C_{iss}	$V_{DS}=50V, V_{GS}=0V,$ $F=1.0MHz$		1210	1400	pF
Output Capacitance	C_{oss}			74		pF
Reverse Transfer Capacitance	C_{rss}			0.2		pF
Total Gate Charge	Q_g	$V_{DS}=480V, I_D=15A,$ $V_{GS}=10V$		24.7	42	nC
Gate-Source Charge	Q_{gs}			8.2		nC
Gate-Drain Charge	Q_{gd}			8.5		nC
Switching times						
Turn-on Delay Time	$t_{d(on)}$	$V_{DD}=380V, I_D=8A,$ $R_G=2.3\Omega, V_{GS}=10V$		14		nS
Turn-on Rise Time	t_r			8		nS
Turn-Off Delay Time	$t_{d(off)}$			55		nS
Turn-Off Fall Time	t_f			7		nS
Source- Drain Diode Characteristics						
Source-drain current(Body Diode)	I_{SD}	$T_C=25^\circ C$			15	A
Pulsed Source-drain current(Body Diode)	I_{SDM}				60	A
Forward On Voltage	V_{SD}	$T_J=25^\circ C, I_{SD}=15A, V_{GS}=0V$		0.9	1.2	V
Reverse Recovery Time	t_{rr}	$T_J=25^\circ C, I_F=7.5A, di/dt=100A/\mu s$		240		nS
Reverse Recovery Charge	Q_{rr}			2		μC
Peak Reverse Recovery Current	I_{rrm}			17		A

Notes 1.Repetitive Rating: Pulse width limited by maximum junction temperature

2. $T_J=25^\circ C, V_{DD}=50V, V_G=10V, R_G=25\Omega$



FTK65T260DD/P/F

TYPICAL ELECTRICAL AND THERMAL CHARACTERISTICS (curves)

Figure1. Safe operating area

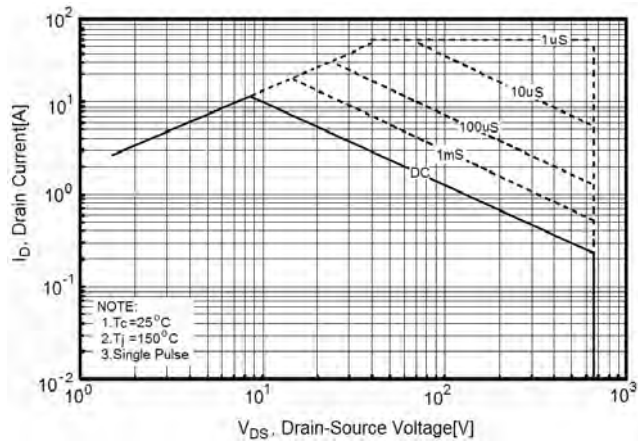


Figure2. Safe operating area for TO-220F

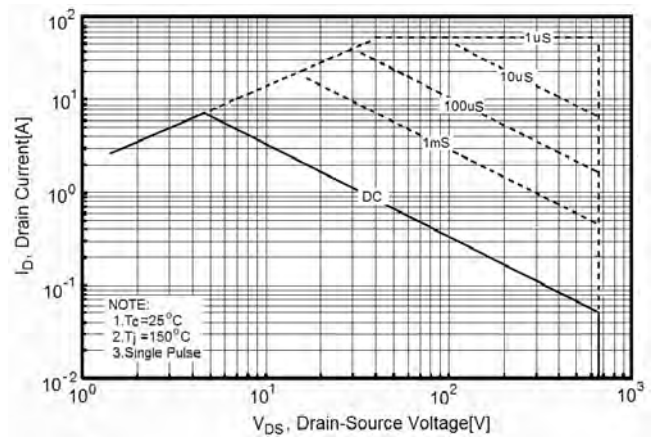


Figure3. Source-Drain Diode Forward Voltage

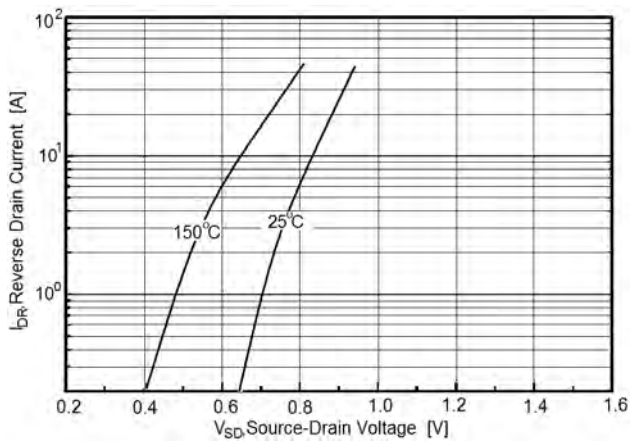


Figure4. Output characteristics

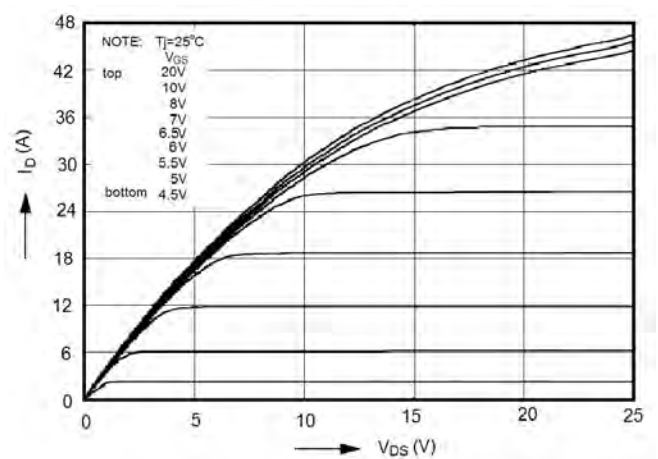


Figure5. Transfer characteristics

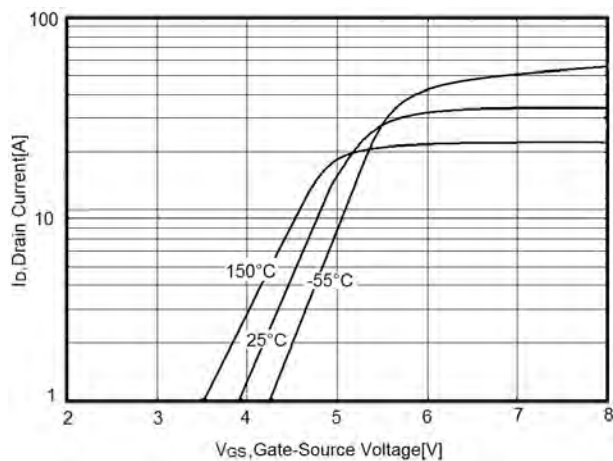
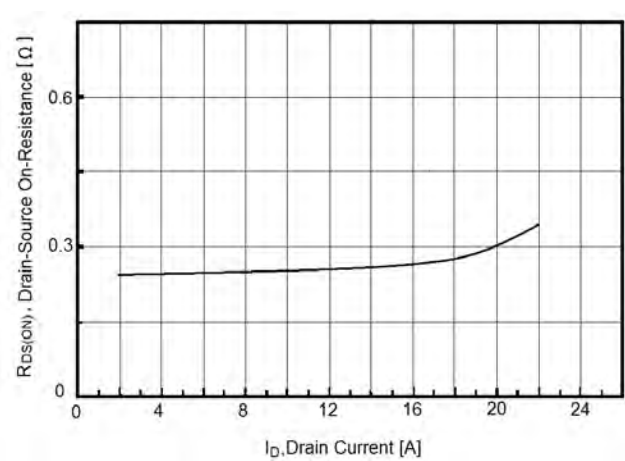


Figure6. Static drain-source on resistance





FTK65T260DD/P/F

Figure7. $R_{DS(ON)}$ vs Junction Temperature

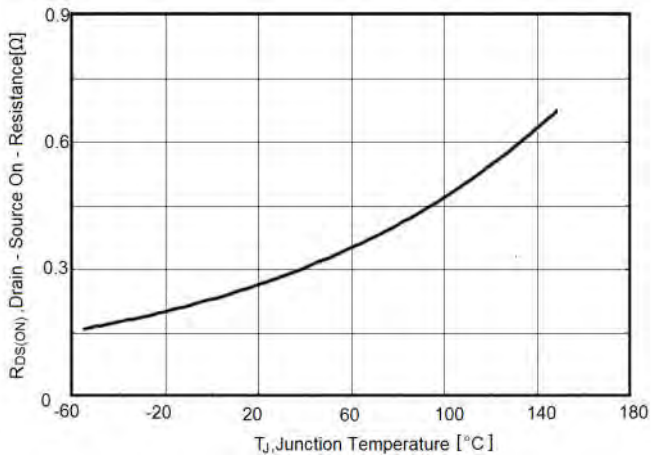


Figure8. BV_{DSS} vs Junction Temperature

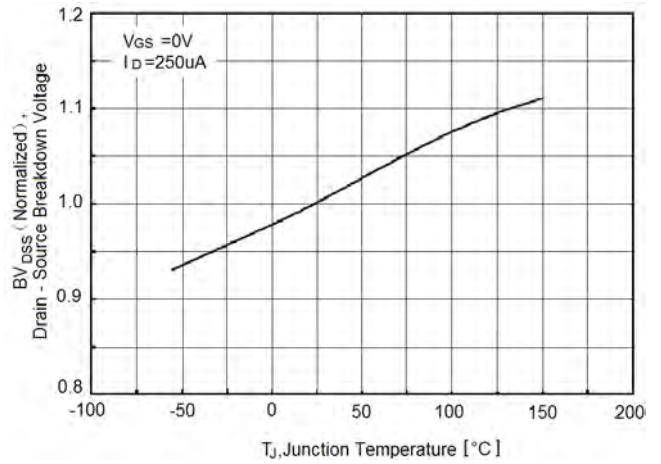


Figure9. Maximum I_D vs Junction Temperature

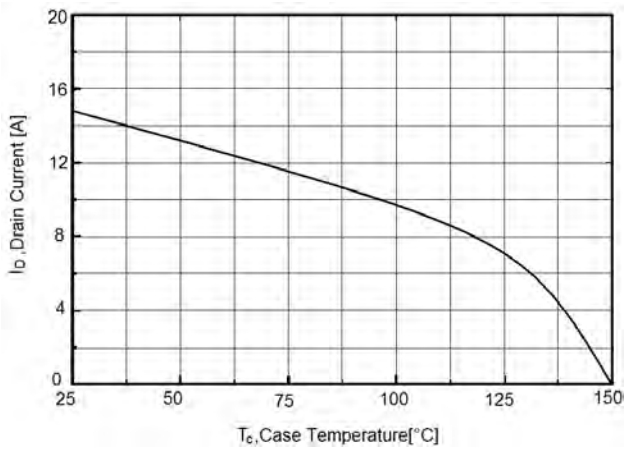


Figure10. Gate charge waveforms

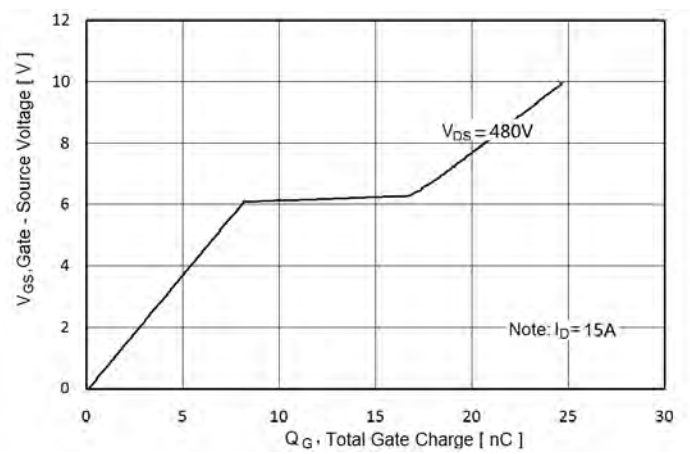


Figure11. Capacitance

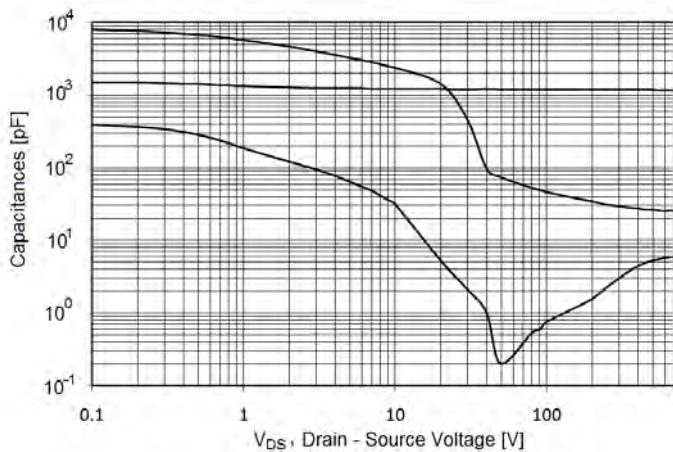


Figure12. Transient Thermal Impedance

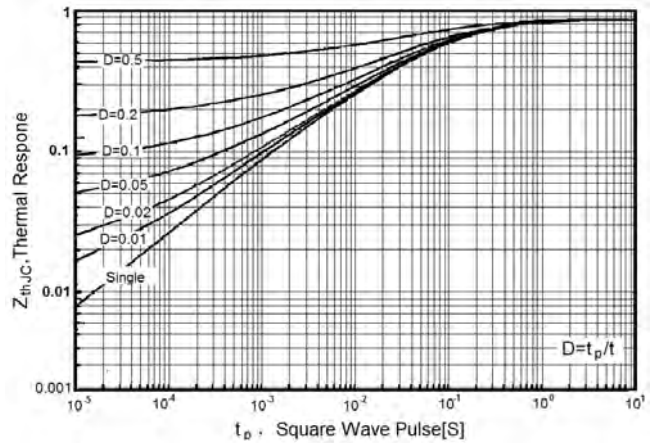
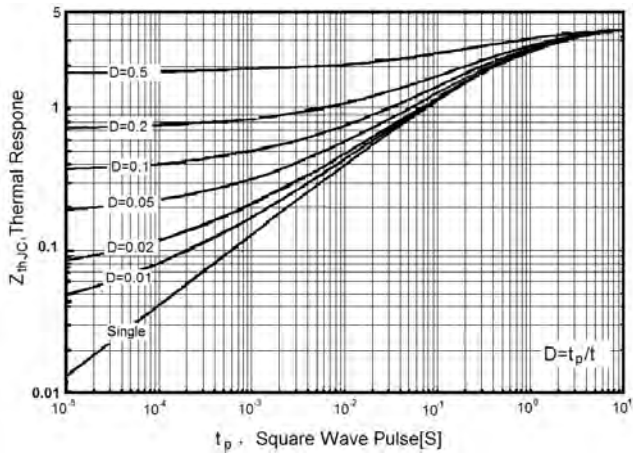
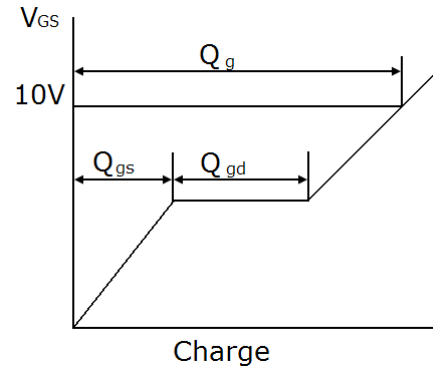
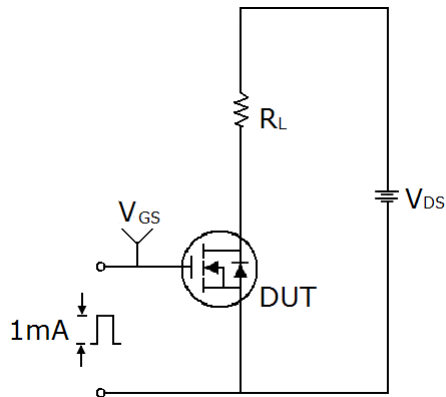


Figure13. Transient Thermal Impedance for TO-220F

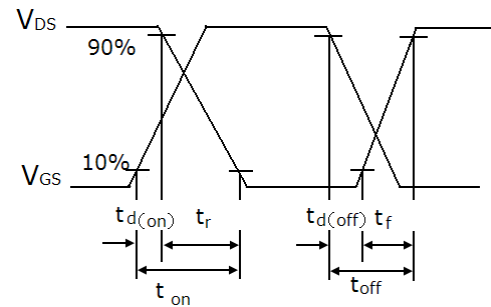
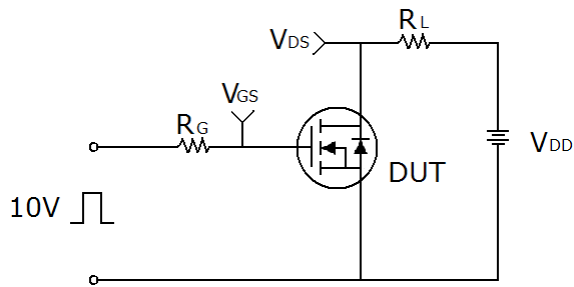


Test circuit

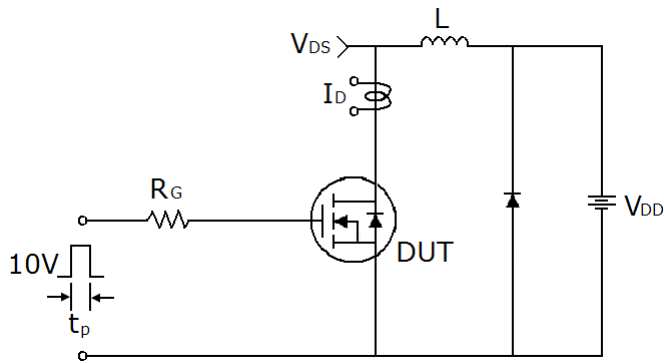
1) Gate charge test circuit & Waveform



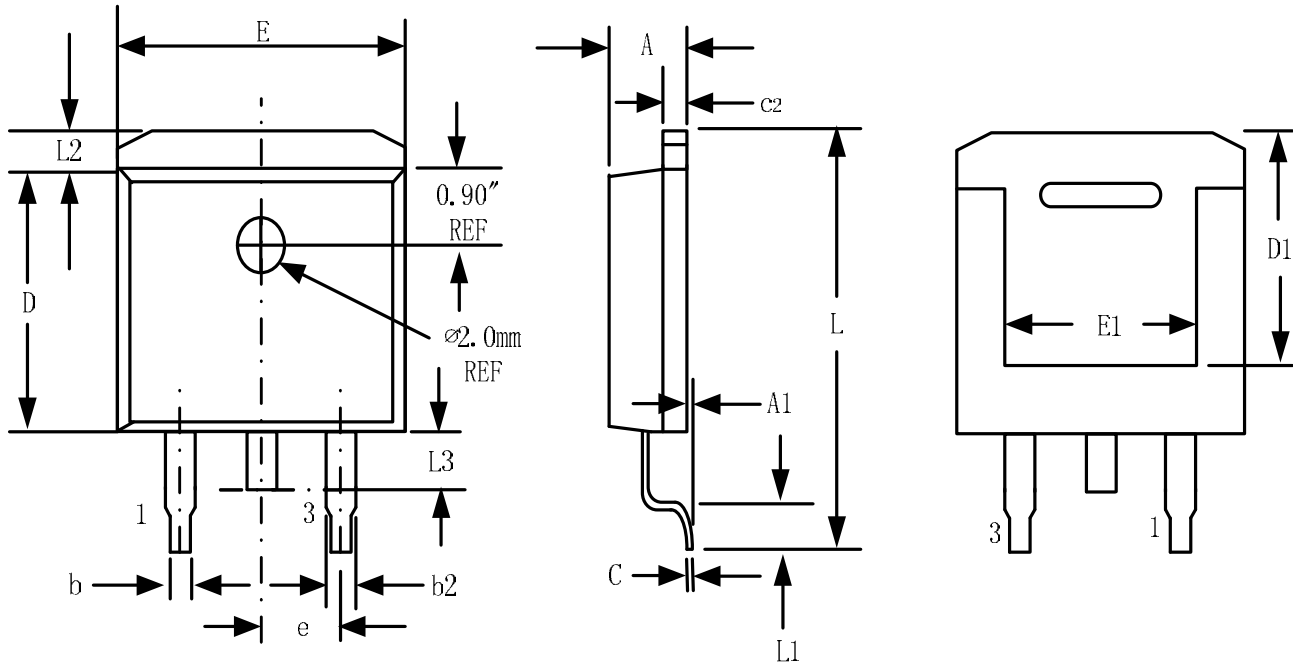
2) Switch Time Test Circuit



3) Unclamped Inductive Switching Test Circuit & Waveforms

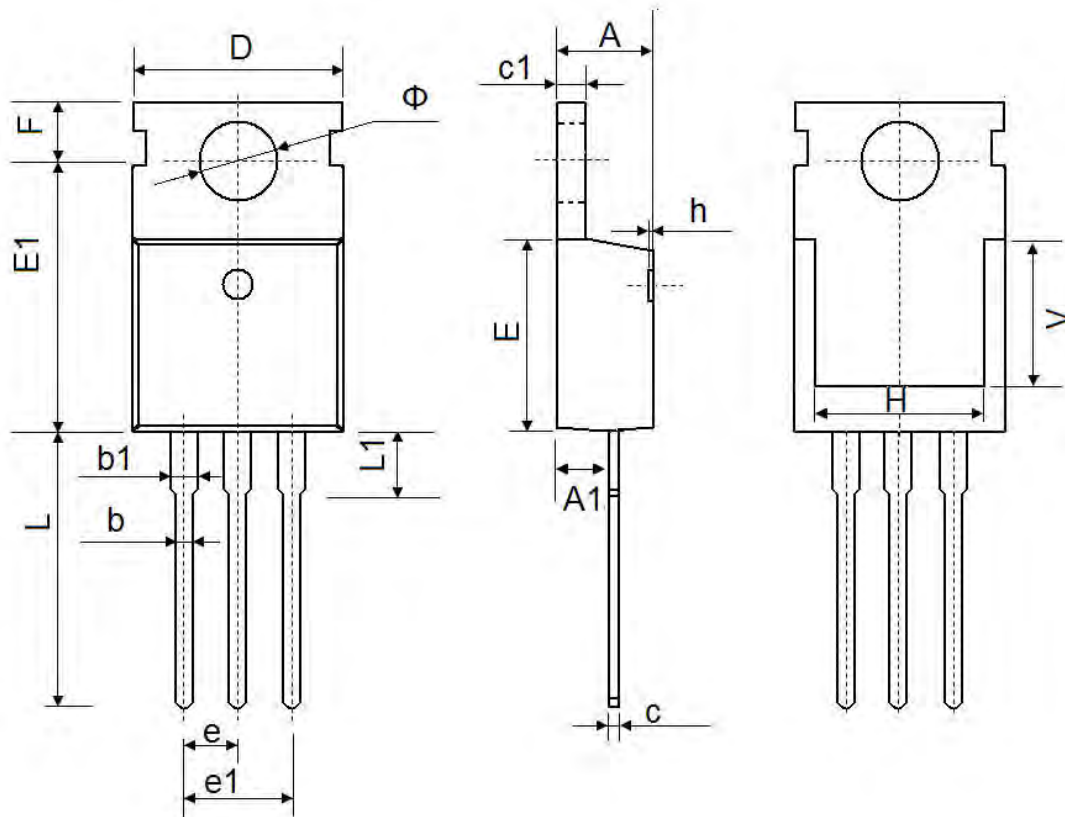


TO-263 Package Information



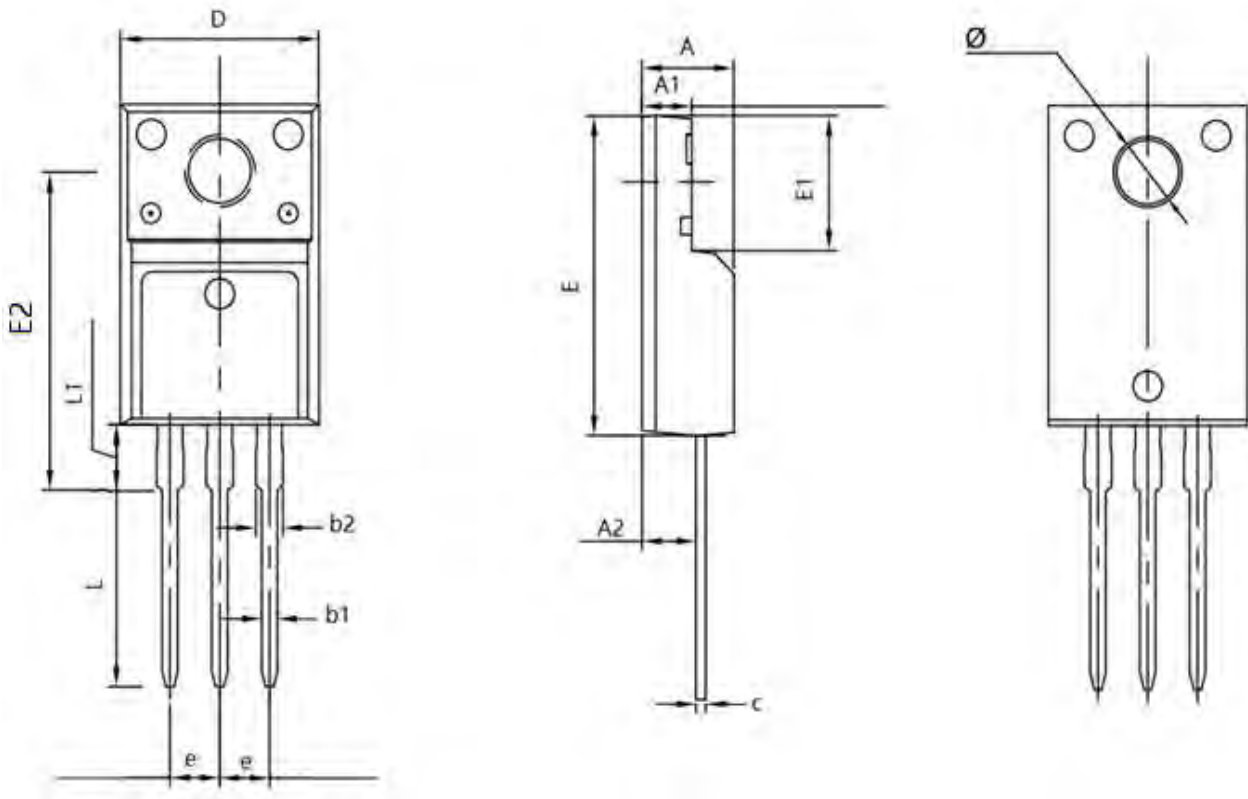
Symbol	Dimensions In Millimeters		Dimensions In Inches	
	Min.	Max.	Min.	Max.
A	4.32	4.57	0.170	0.180
A1	-	0.25	-	0.010
b	0.71	0.94	0.028	0.037
b2	1.15	1.40	0.045	0.055
c	0.46	0.61	0.018	0.024
c2	1.22	1.40	0.048	0.055
D	8.89	9.40	0.350	0.370
D1	8.01	8.23	0.315	0.324
E	10.04	10.28	0.395	0.405
E1	7.88	8.08	0.310	0.318
e	2.54 BSC		0.100 BSC	
L	14.73	15.75	0.580	0.620
L1	2.29	2.79	0.090	0.110
L2	1.15	1.39	0.045	0.055
L3	1.27	1.77	0.050	0.070

TO-220 Package Information



Symbol	Dimensions In Millimeters		Dimensions In Inches	
	Min.	Max.	Min.	Max.
A	4.400	4.600	0.173	0.181
A1	2.250	2.550	0.089	0.100
b	0.710	0.910	0.028	0.036
b1	1.170	1.370	0.046	0.054
c	0.330	0.650	0.013	0.026
c1	1.200	1.400	0.047	0.055
D	9.910	10.250	0.390	0.404
E	8.9500	9.750	0.352	0.384
E1	12.650	12.950	0.498	0.510
e	2.540 TYP.		0.100 TYP.	
e1	4.980	5.180	0.196	0.204
F	2.650	2.950	0.104	0.116
H	7.900	8.100	0.311	0.319
h	0.000	0.300	0.000	0.012
L	12.900	13.400	0.508	0.528
L1	2.850	3.250	0.112	0.128
V	7.500 REF.		0.295 REF.	
Φ	3.400	3.800	0.134	0.150

TO-220F Package Information



Symbol	Dimensions In Millimeters		Dimensions In Inches	
	Min.	Max.	Min.	Max.
A	4.500	4.900	0.177	0.193
A1	2.340	2.740	0.092	0.108
A2	2.560	2.960	0.101	0.117
b1	0.700	0.900	0.028	0.035
b2	1.180	1.580	0.046	0.062
c	0.400	0.600	0.016	0.024
D	9.960	10.360	0.392	0.408
E	15.670	15.970	0.617	0.629
E1	6.500	6.900	0.256	0.272
E2	15.500	16.100	0.610	0.634
e	2.540 TYP		0.100 TYP	
Φ	3.080	3.280	0.121	0.129
L	12.640	13.240	0.498	0.521
L1	3.030	3.430	0.119	0.135