



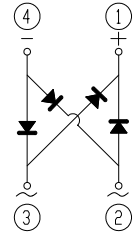
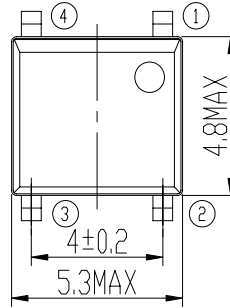
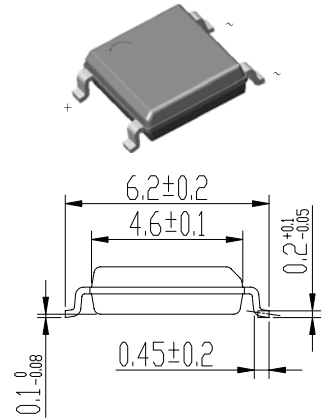
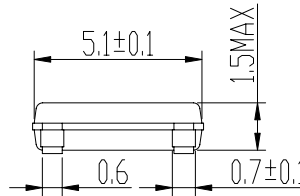
Miniature Glass Passivated Single-Phase Surface Mount Bridge Rectifiers
Reverse Voltage 200 to 1000 Volts Forward Current 1.0 Ampere

Features

- ◆ Low Profile: Typical height of 1.4mm
- ◆ Ideal for automated placement
- ◆ High surge current capability
- ◆ Solder Dip 260°C, 40seconds

Mechanical Data

- ◆ Case:SOPA-4
Epoxy meets UL-94V-0 Flammability rating
- ◆ Terminals:Matte tin plated leads, solderable p
J-STD-002B and JESD22-B102D
- ◆ Polarity:As markde on body



Maximum Ratings and Electrical Characteristics

(T_A=25 °C unless otherwise noted)

Parameter	Symbols	LB2S	LB4S	LB6S	LB8S	LB10S	Unit
Maximum repetitive peak reverse voltage	V _{RRM}	200	400	600	800	1000	Volts
Maximum RMS voltage	V _{RMS}	140	280	420	560	700	Volts
Maximum DC blocking voltage	V _{DC}	200	400	600	800	1000	Volts
Maximum average forward output rectified current (see Fig.1) on glass-epoxy P.C.B. on aluminum substrate	I _{F(AV)}					0.8 1.0	Amp
Peak forward surge current 8.3 ms single half sine-wave superimposed on rated load (JEDEC Method)	I _{FSM}					30	Amps
Rating for fusing (t < 8.3ms)	I ² t					3	A ² sec
Maximum instantaneous forward voltage drop per leg at 0.4A	V _F					0.95	Volt
Maximum DC reverse current at rated DC blocking voltage per leg T _A = 25°C T _A = 125°C	I _R					5.0 500	uA
Typical thermal resistance per leg (Note 1)	R _{θJA} R _{θJL}					85 25	°C/W
Typical junction capacitance per leg at 4.0V, 1.0MHz	C _J					13	pF
Operating junction and storage temperature range	T _J , T _{STG}					-55 to +150	°C

- Notes**
1. Device mounted P.C.B with 0.47x0.47"(12mmx12mm) Copper Pads.
 2. JEDEC registered values



RATINGS AND CHARACTERISTIC CURVES

($T_A=25^\circ\text{C}$ unless otherwise noted)

