



Bridge Rectifier

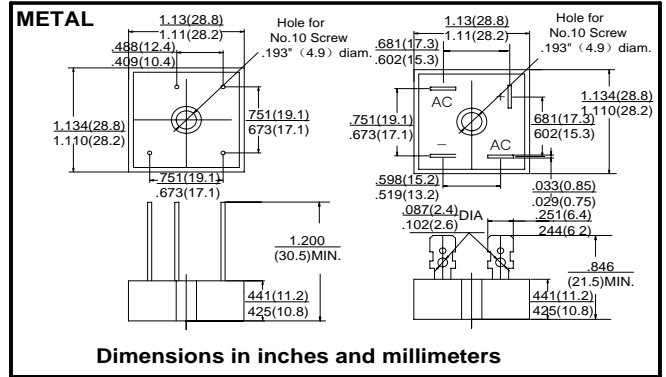
■ Features

- I_o 35A
- V_{RRM} 50V~1000V
- High surge forward current capability

■ Applications

- General purpose 1 phase Bridge rectifier applications

■ Outline Dimensions and Mark



■ Limiting Values (Absolute Maximum Rating)

Item	Symbol	Unit	Conditions	KBPC35						
				005	01	02	04	06	08	10
Repetitive Peak Reverse Voltage	V_{RRM}	V		50	100	200	400	600	800	1000
Average Rectified Output Current	I_o	A	60Hz sine wave, R-load	With heatsink $T_c=55^\circ\text{C}$		35				
Surge(Non-repetitive)Forward Current	I_{FSM}	A	60Hz sine wave, 1 cycle, $T_a=25^\circ\text{C}$		400					
Current Squared Time	I^2t	A^2S	$1\text{ms} \leq t < 8.3\text{ms}$ $T_j=25^\circ\text{C}$, Rating of per diode		660					
Storage Temperature	T_{stg}	$^\circ\text{C}$			-55 ~ +150					
Junction Temperature	T_j	$^\circ\text{C}$			-55 ~ +125					
Dielectric Strength	V_{dis}	KV	Terminals to case, AC 1 minute		2.5					
Mounting Torque	TOR	kg · cm	Recommend torque: 10kg · cm		20					

■ Electrical Characteristics ($T_a=25^\circ\text{C}$ Unless otherwise specified)

Item	Symbol	Unit	Test Condition	Max
Peak Forward Voltage	V_{FM}	V	$I_{FM}=17.5\text{A}$, Pulse measurement, Rating of per	1.1
Peak Reverse Current	I_{RRM}	μA	$V_{RM}=V_{RRM}$, Pulse measurement, Rating of per diode	10
Thermal Resistance	$R_{\theta\text{-JC}}$	$^\circ\text{C/W}$	Between junction and case, With heatsink	1.0



■ Characteristics(Typical)

