

## Small-Signal Fast Switching Diodes

### Features

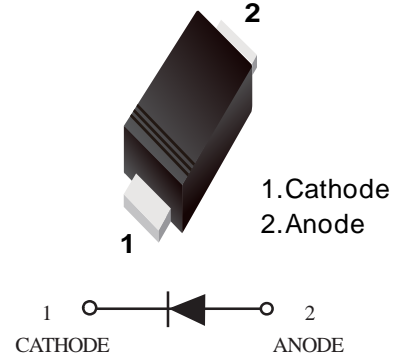
- Small surface mounting type
- High Speed
- High reliability with high surge current handling capability

### Typical Applications

- Extreme fast switches

### Mechanical Data

- **Package:** SOD-723
- **Polarity:** Cathode line denotes the cathode end



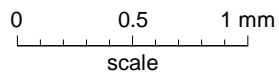
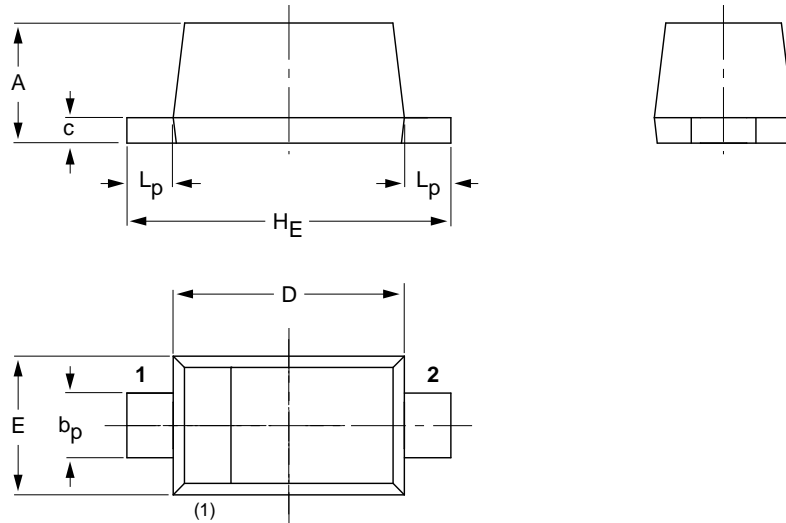
### Maximum Ratings (Ta=25°C Unless otherwise specified)

Parameter	Symbol	Rating	Unit
Peak reverse voltage	V <sub>RM</sub>	90	V
DC reverse voltage	V <sub>R</sub>	80	V
Average forward current	I <sub>O</sub>	100	mA
Peak forward current	I <sub>FM</sub>	225	mA
Surge current (1s)	I <sub>surge</sub>	500	mA
Junction temperature	T <sub>j</sub>	125	°C
Storage temperature	T <sub>stg</sub>	-55 to +125	°C

### Electrical Characteristics (Ta=25°C Unless otherwise specified)

Parameter	Symbol	Test Conditions	Min	Typ	Max	Unit
Forward voltage	V <sub>F</sub>	I <sub>F</sub> =100mA			1.2	V
Reverse current	I <sub>R</sub>	V <sub>R</sub> =80V			0.1	μA
Total Capacitance	C <sub>T</sub>	V <sub>R</sub> =0.5V, f=1MHZ			3.0	pF
Reverse recovery time	t <sub>rr</sub>	V <sub>R</sub> =6V, I <sub>F</sub> =10mA, R <sub>L</sub> =100Ω			4	ns

## ■ SOD-723



**DIMENSIONS (mm are the original dimensions)**

UNIT	A	$b_p$	c	D	E	$H_E$	$L_p$
mm	0.55	0.32	0.15	1.05	0.65	1.45	0.27
	0.49	0.25	0.08	0.95	0.55	1.35	0.13