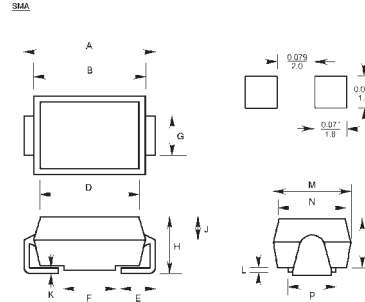


SURFACE MOUNT FAST SWITCHING RECTIFIER

Reverse Voltage - 50 to 1000 Volts
Forward Current - 1.0 Ampere

Features

- Plastic package has Underwriters Laboratory Flammability Classification 94V-0
- For surface mounted applications in order to optimize board space
- Low profile package
- Built-in strain relief, ideal for automated placement
- Fast switching for high efficiency
- Glass passivated chip junction
- High temperature soldering: 250°C/10 seconds at terminals



Mechanical Data

- **Case:** SMA molded plastic over passivated chip
- **Terminals:** Solder plated, solderable per MIL-STD-750, method 2026
- **Polarity:** Color band denotes cathode end
- **Weight:** 0.004 ounce, 0.118 gram

DIM	DIMENSIONS				Note
	Inches		mm		
	Min.	Max.	Min.	Max.	
A	0.216	0.226	5.48	5.74	
B	0.176	0.182	4.46	4.63	
C	0.094	0.100	2.40	2.55	
D	0.170	0.176	4.33	4.48	
E	0.039	0.055	1.00	1.40	
F	0.060	0.081	2.03	2.07	
G	0.068	0.083	1.72	2.10	
H	0.112	0.118	2.85	3.00	
J	0.057	-	1.44	-	
K	-	0.018	-	0.45	
L	0.016	-	0.40	-	
M	0.109	0.115	2.77	2.93	
N	0.105	0.107	2.67	2.73	
P	0.076	0.081	2.00	2.05	

Maximum Ratings and Electrical Characteristics

Ratings at 25°C ambient temperature unless otherwise specified.

	Symbols	GR1A	GR1B	GR1D	GR1G	GR1J	GR1K	GR1M	Units	
Maximum repetitive peak reverse voltage	V_{RRM}	50	100	200	400	600	800	1000	Volts	
Maximum RMS voltage	V_{RMS}	35	70	140	280	420	560	700	Volts	
Maximum DC blocking voltage	V_{DC}	50	100	200	400	600	800	1000	Volts	
Maximum average forward rectified current at $T_L=90^\circ\text{C}$	$I_{(AV)}$	1.0								Amp
Peak forward surge current 8.3ms single half sine-wave superimposed on rated load (MIL-STD-750D 4066 method) $T_L=90^\circ\text{C}$	I_{FSM}	30.0								Amps
Maximum instantaneous forward voltage at 1.0A	V_F	1.30								Volts
Maximum DC reverse current at rated DC blocking voltage $T_A=25^\circ\text{C}$ $T_A=125^\circ\text{C}$	I_R	5.0 50.0								μA
Maximum reverse recovery time (Note 1)	T_{rr}	150			250	500				nS
Typical junction capacitance (Note 2)	C_J	10.0						7.0		μF
Maximum thermal resistance (Note 3)	$R_{\theta JA}$ $R_{\theta JL}$	105.0 32.0								$^\circ\text{C/W}$
Operating junction and storage temperature range	T_J, T_{STG}	-55 to +150								$^\circ\text{C}$

Notes:

- (1) Reverse recovery test conditions: $I_F=0.5\text{A}$, $I_R=1.0\text{A}$, $I_T=0.25\text{A}$
- (2) Measured at 1.0MHz and applied reverse voltage of 4.0 volts
- (3) Thermal resistance from junction to ambient and from junction to lead mounted on P.C.B. with 0.2x0.2" (5.0x5.0mm) copper pad areas



GR1A ~ GR1M

CHARACTERISTIC CURVES

